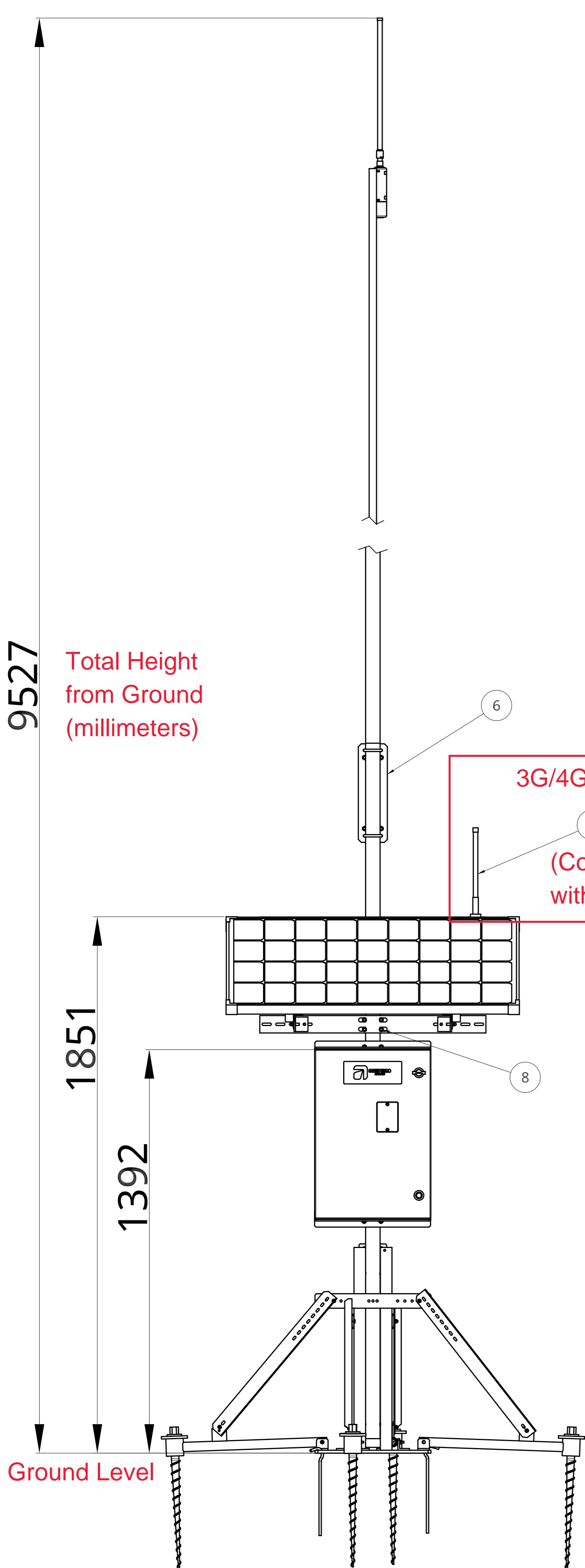
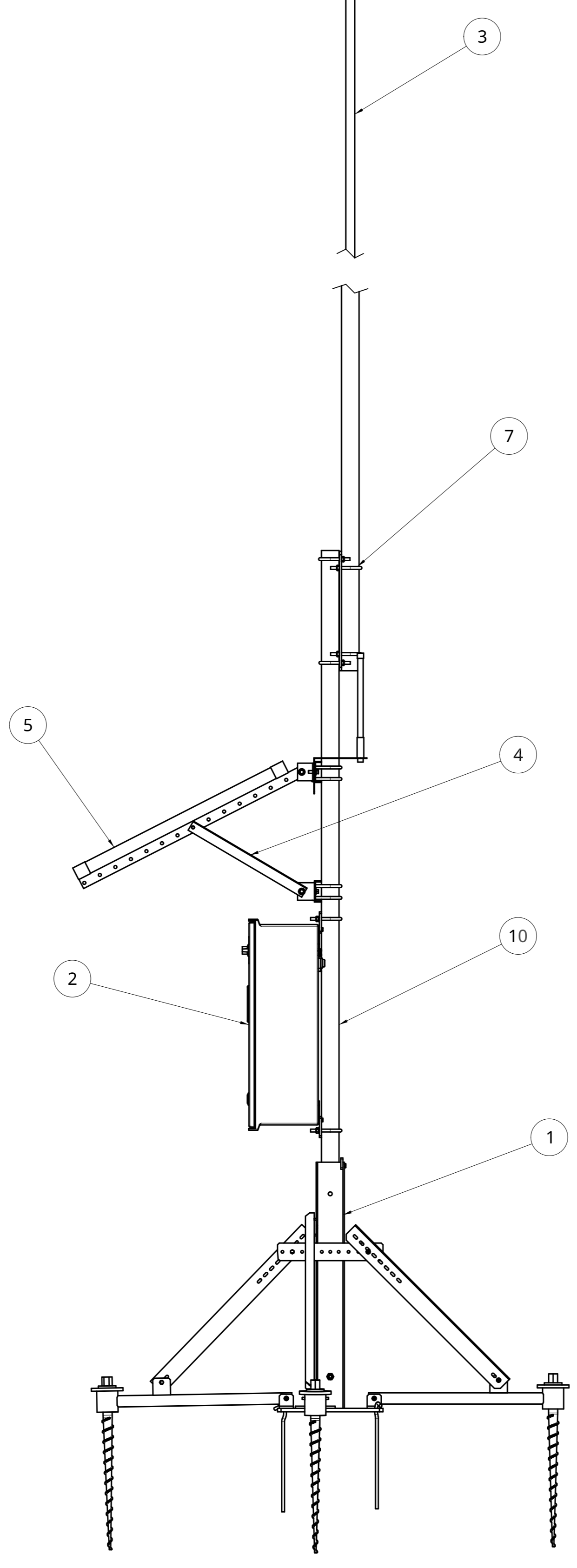


12 11 10 9 8 7 6 5 4 3 2 1



3G/4G Antenna
(Communication with Internet)

LoRa Gateway & Antenna
(Short-range Low-power Communication with Neckbands on animals)



Item No.	Quantity	Part number	Description
1	1	ES_1001	BASE STATION GROUND ANCHOR ASSEMBLY
2	1	ES_1002	MULTI CHANNEL 3G/4G ENCLOSURE
3	1	ES_6056	ANTENNA MAST 7.5M
4	1	ES_6269	Bracket Mount Solar Panel (Arizon)
5	1	ES_6172	100W SOLAR PANEL
6	1	ES_3108	POLE TO POLE MOUNTING BRACKET
7	10	ES_6271	U Bolt
8	20	ES_6026	M8 nyloc hex nut
9	1	ES_6077	ANTENNA OSCAR 42
10	1	ES_3106	LOWER POLE
11	1	ES_6074	LORIX GATEWAY

UPDATE FOR COST REDUCTION, CABINET MOUNTING CHANGED, MAST CONNECTION CHANGED, SOLAR BRACKET CHANGED, LORIX HOUSING REMOVED, MAST LOCK CHANGED						SB		3318	12-2-20	C	01
INITIAL RELEASE								-	17 DEC 19	A	01
CHANGE LIST						NAME	DRG REF	JIRA	DATE	VER	REV

<p>UNLESS OTHERWISE SPECIFIED, DIMENSIONS ARE IN MILLIMETERS DO NOT SCALE DRAWING BREAK ALL SHARP EDGES AND REMOVE BURRS</p> <p>THIRD ANGLE PROJECTION</p>	DRAWN	SB		12/02/2020	<p>COPYRIGHT - THIS DRAWING IS CONFIDENTIAL AND MUST NOT BE DISCLOSED IN PART OR FULL WITHOUT WRITTEN CONSENT OF AGERSENS PTY LTD</p> <p>TITLE BASE STATION MULTI CHANNEL</p> <p>DWG NO. ES_1000</p> <p>SCALE 1:20 SIZE A1 SHEET 1 of 1</p>
	CHECKED	AZ	<i>AZ</i>	19/05/2020	
	APPROVED	AZ	<i>AZ</i>	19/05/2020	

12 11 10 9 8 7 6 5 4 3 2 1