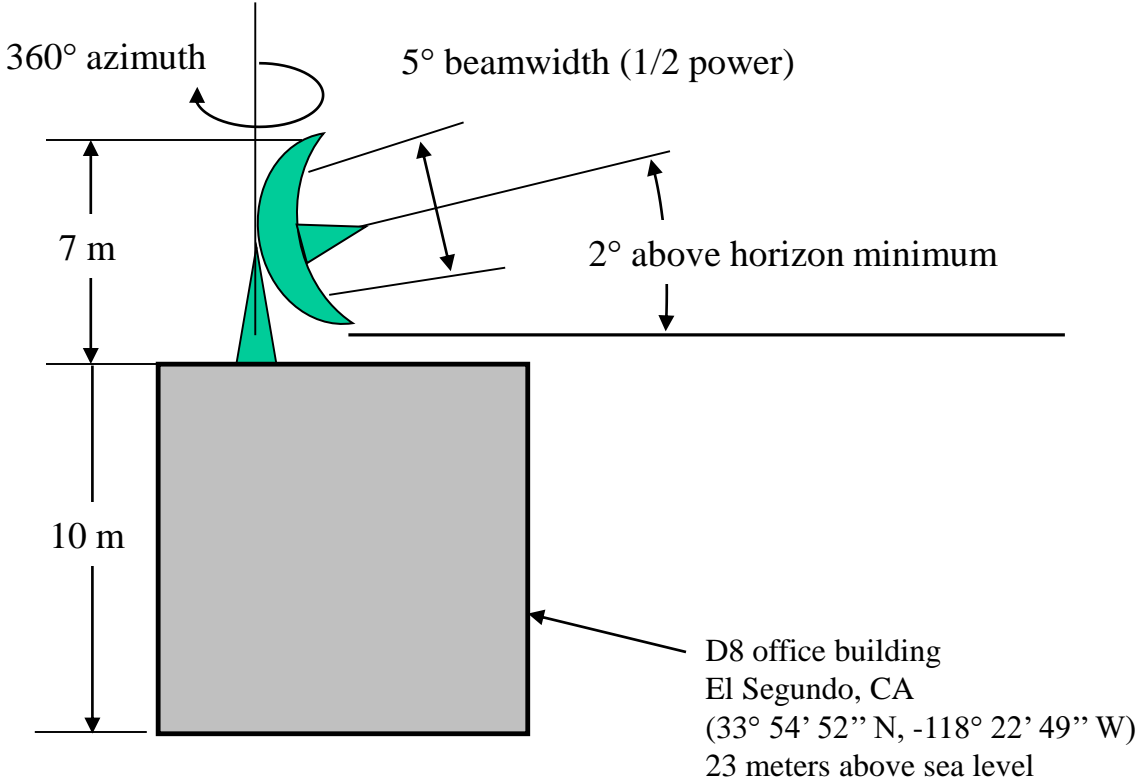
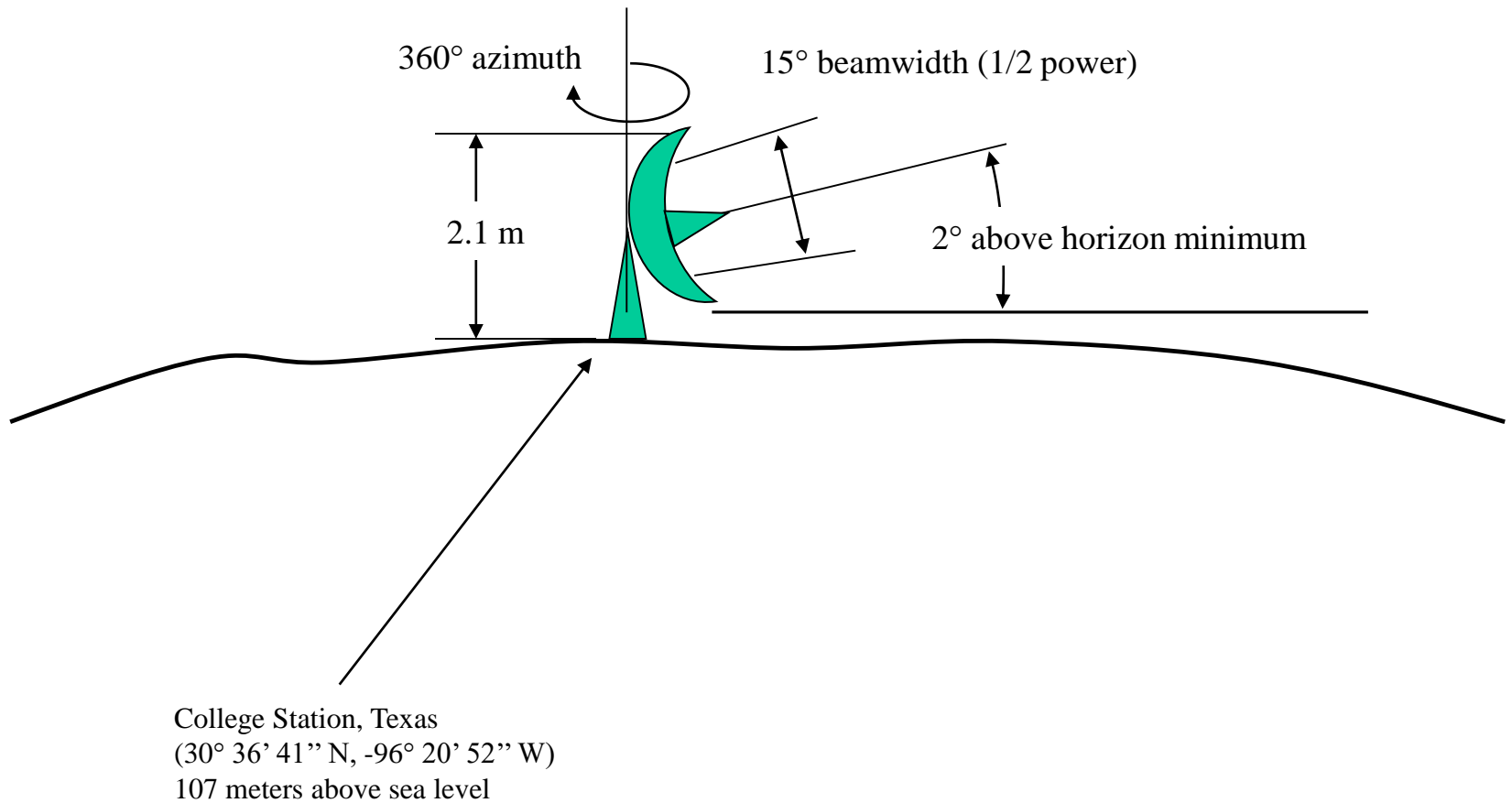


1) El Segundo antenna

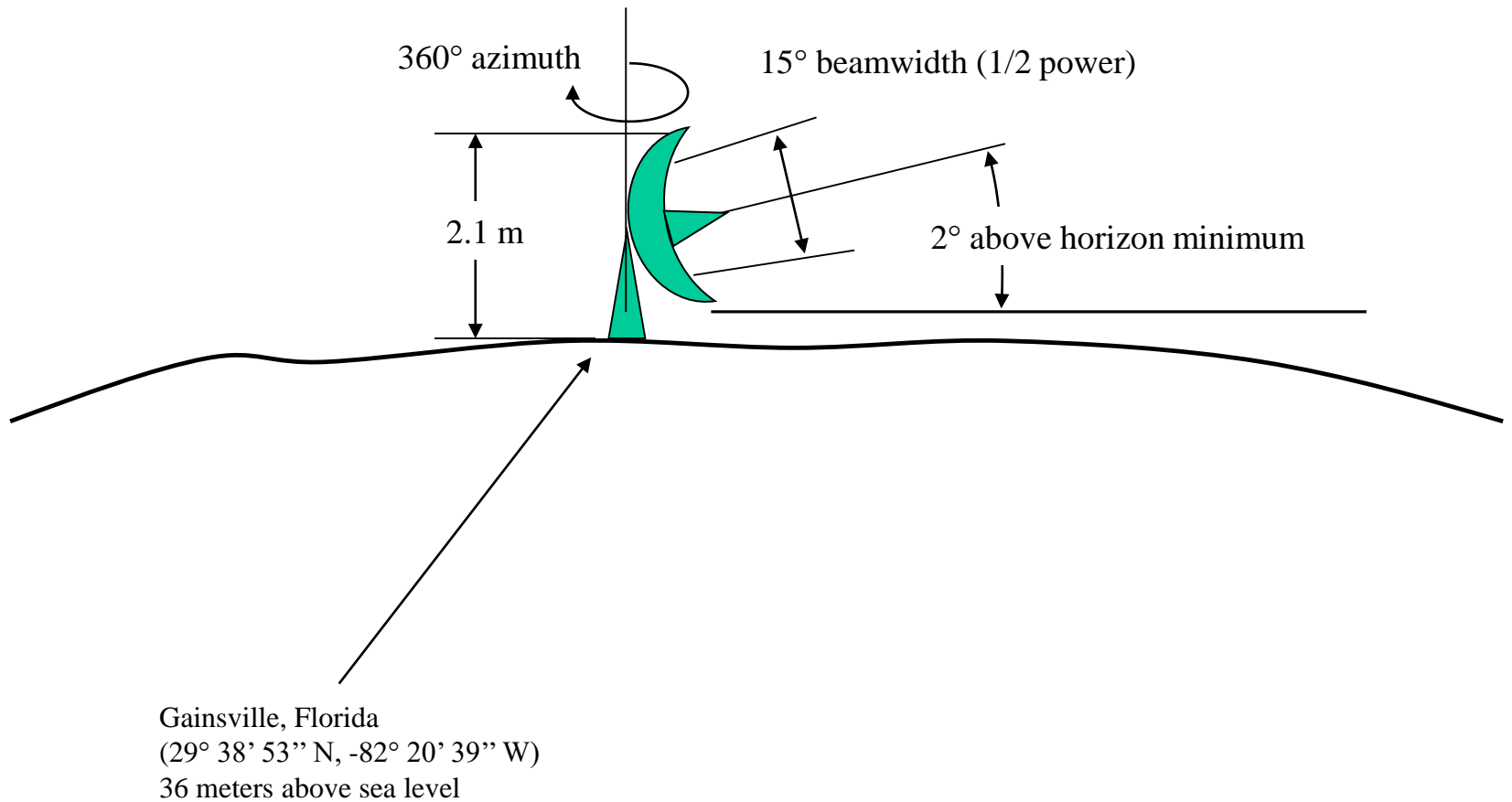
Beam Characteristics and FAA sketch



2) Texas A&M antenna Beam Characteristics and FAA sketch

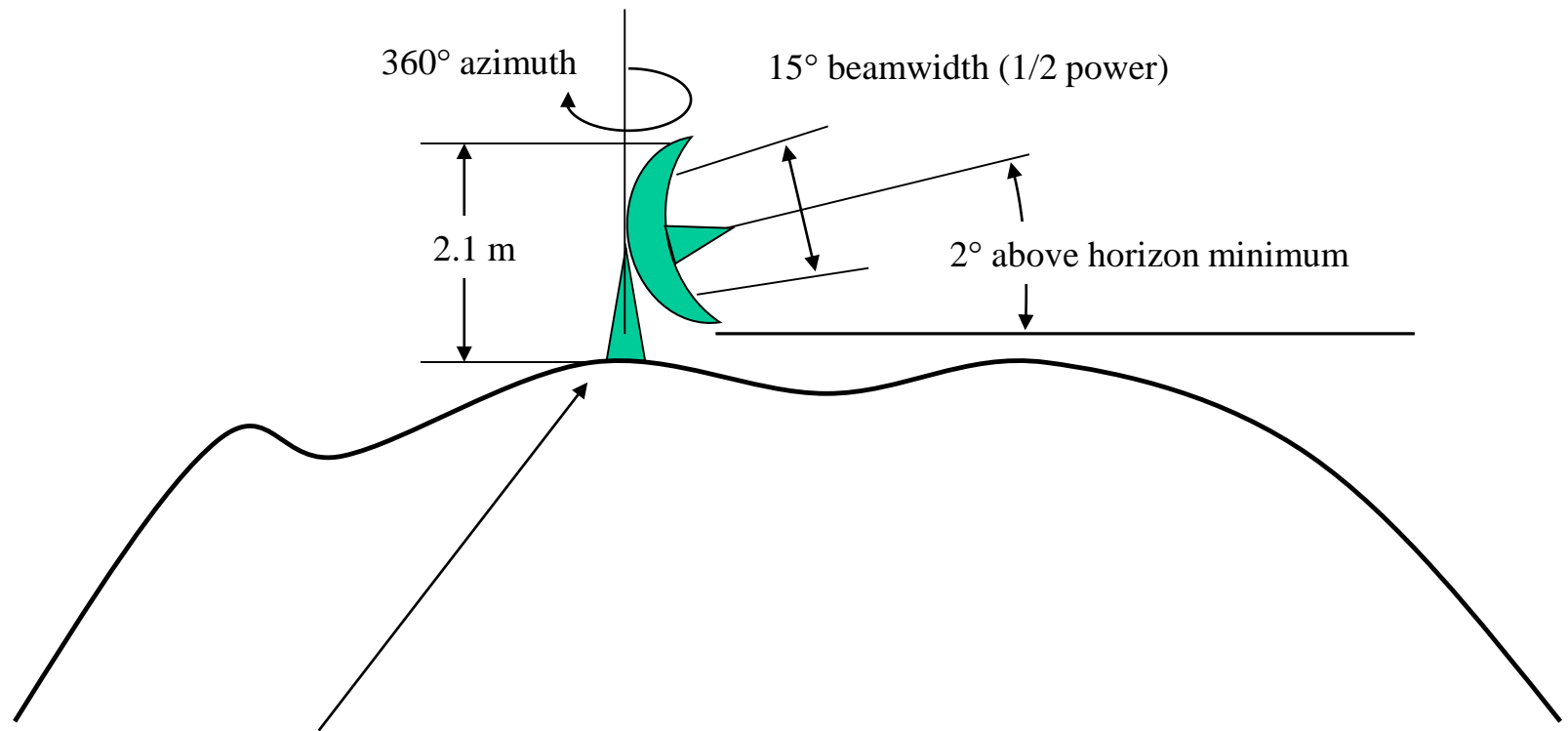


3) University of Florida antenna Beam Characteristics and FAA sketch



4) Mt. Wilson, CA

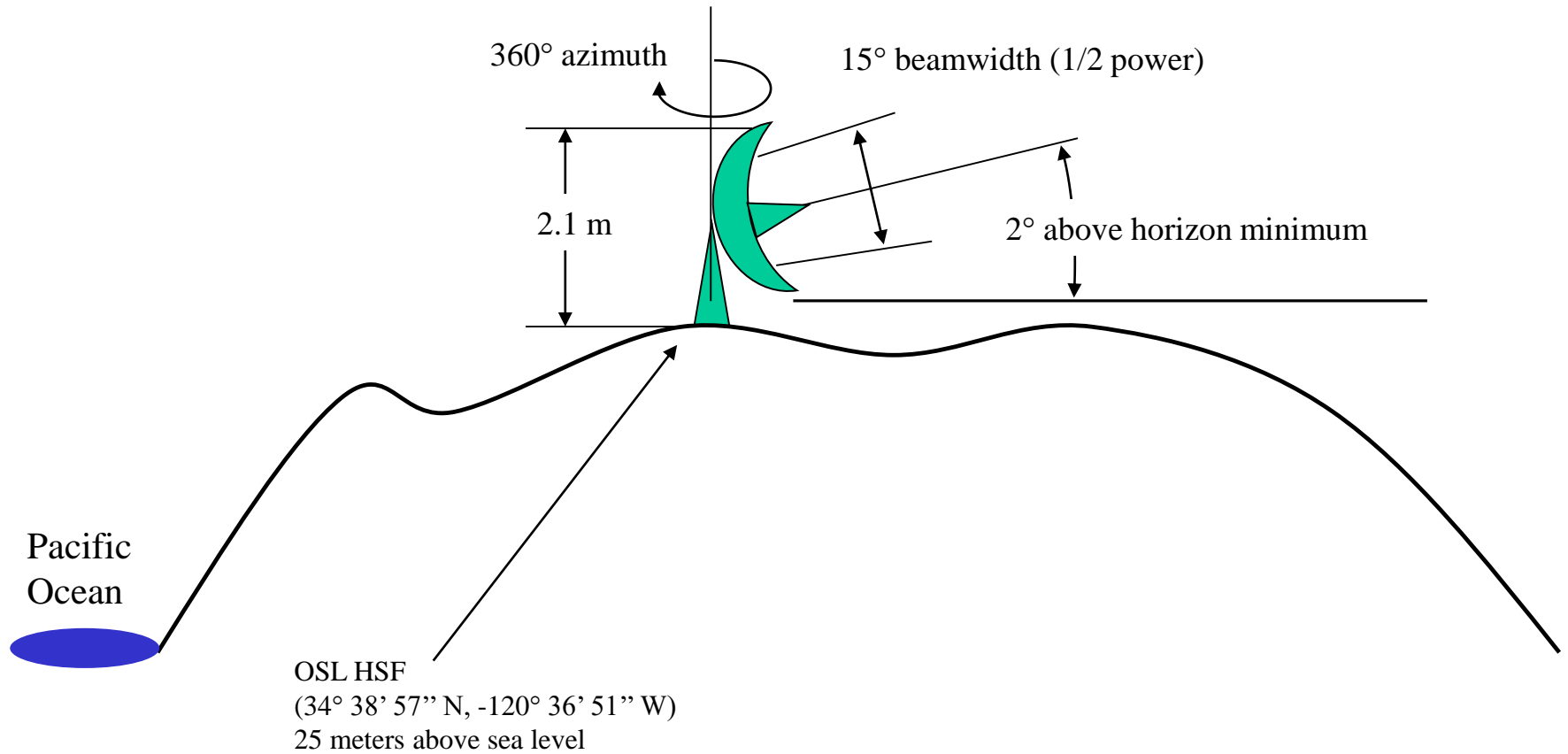
Beam Characteristics and FAA sketch



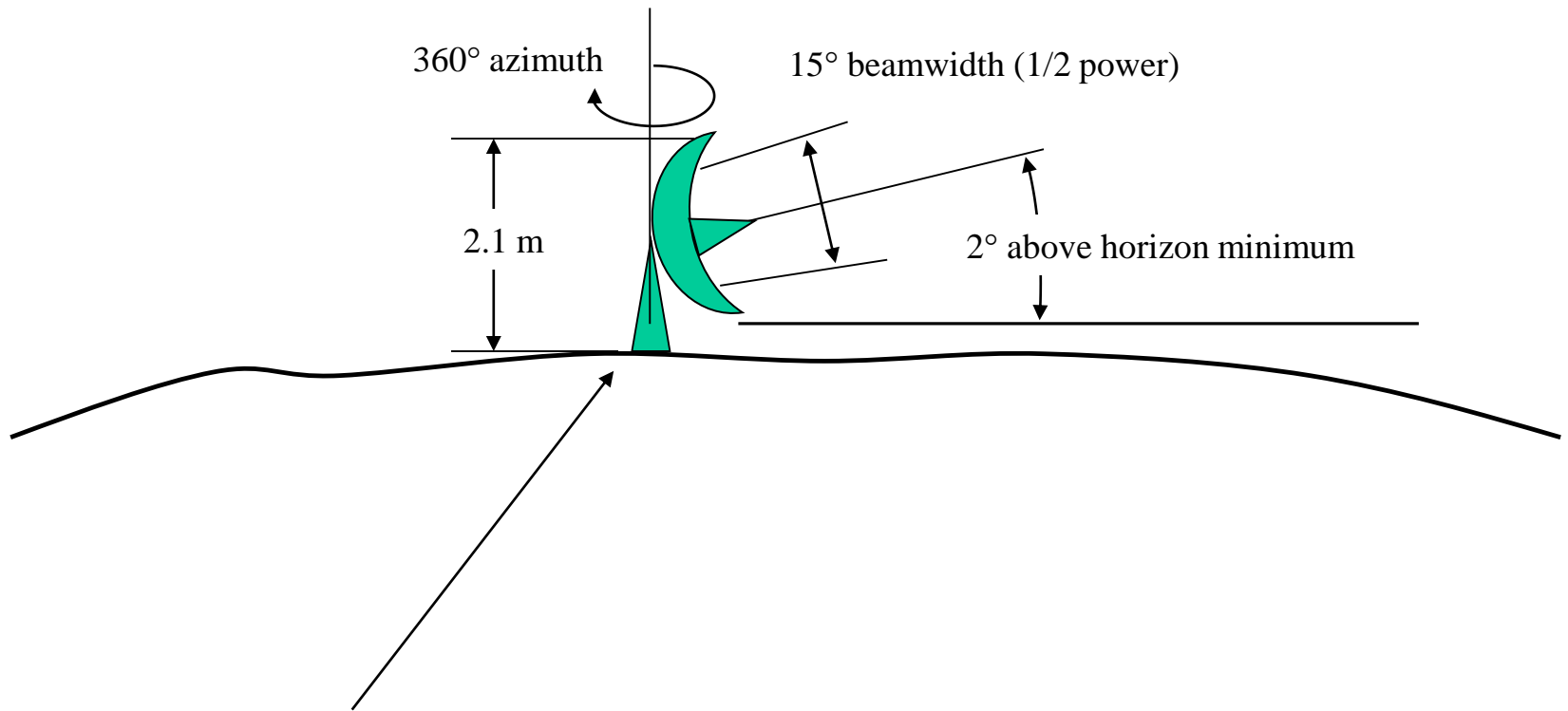
Mt. Wilson Observatory
Mt. Wilson, CA
(34° 13' 29" N, -118° 3' 23" W)
1736 meters above sea level

5) USAF Base, Vandenberg, CA

Beam Characteristics and FAA sketch

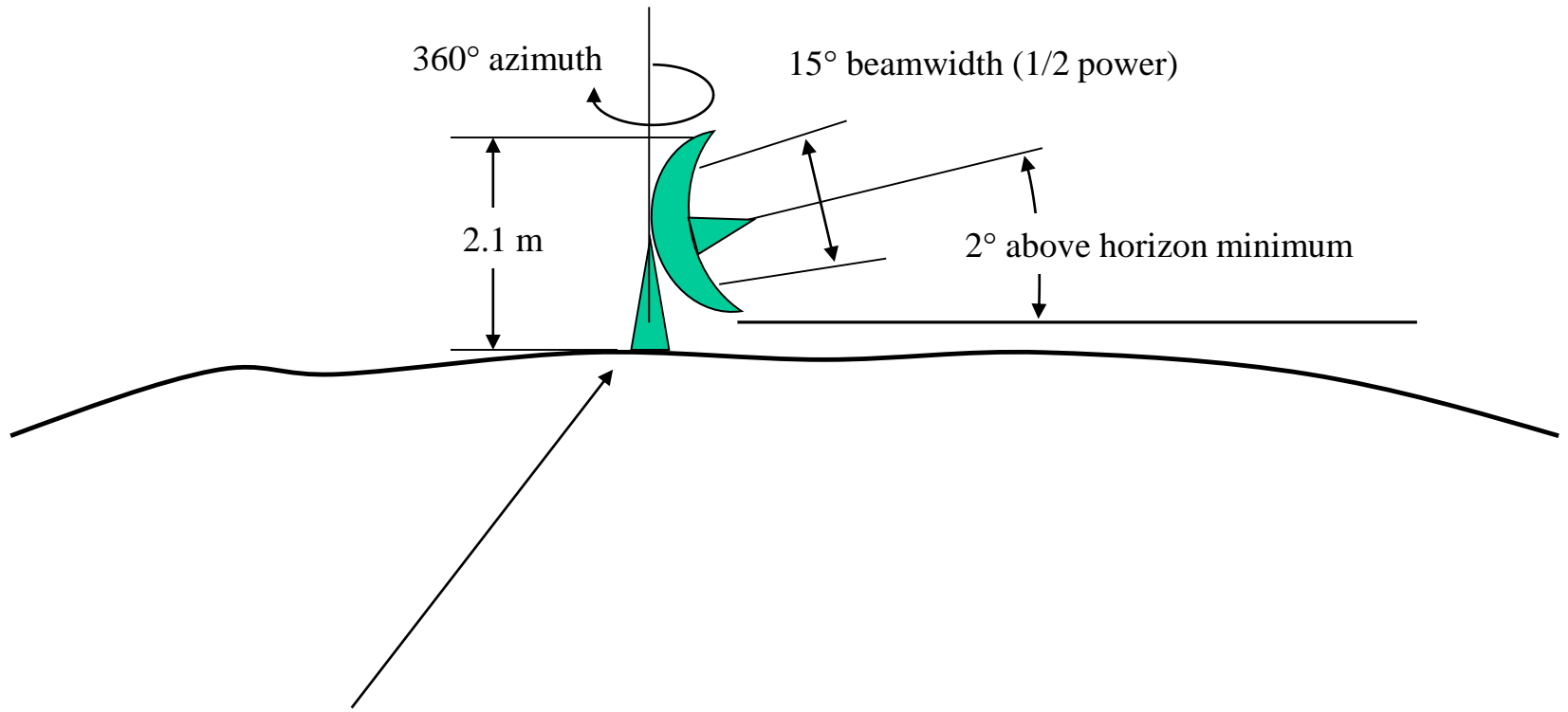


6) AFRL/RDSM, Kihei, Maui, HI Beam Characteristics and FAA sketch



Kihei, HI
(20° 44' 44" N, -156° 25' 52" W)
10 meters above sea level

7) University of Minnesota Beam Characteristics and FAA sketch



Ash River, Minnesota (Nova Far facility)
(48° 22' 45" N, -92° 49' 56" W)
372 meters above sea level