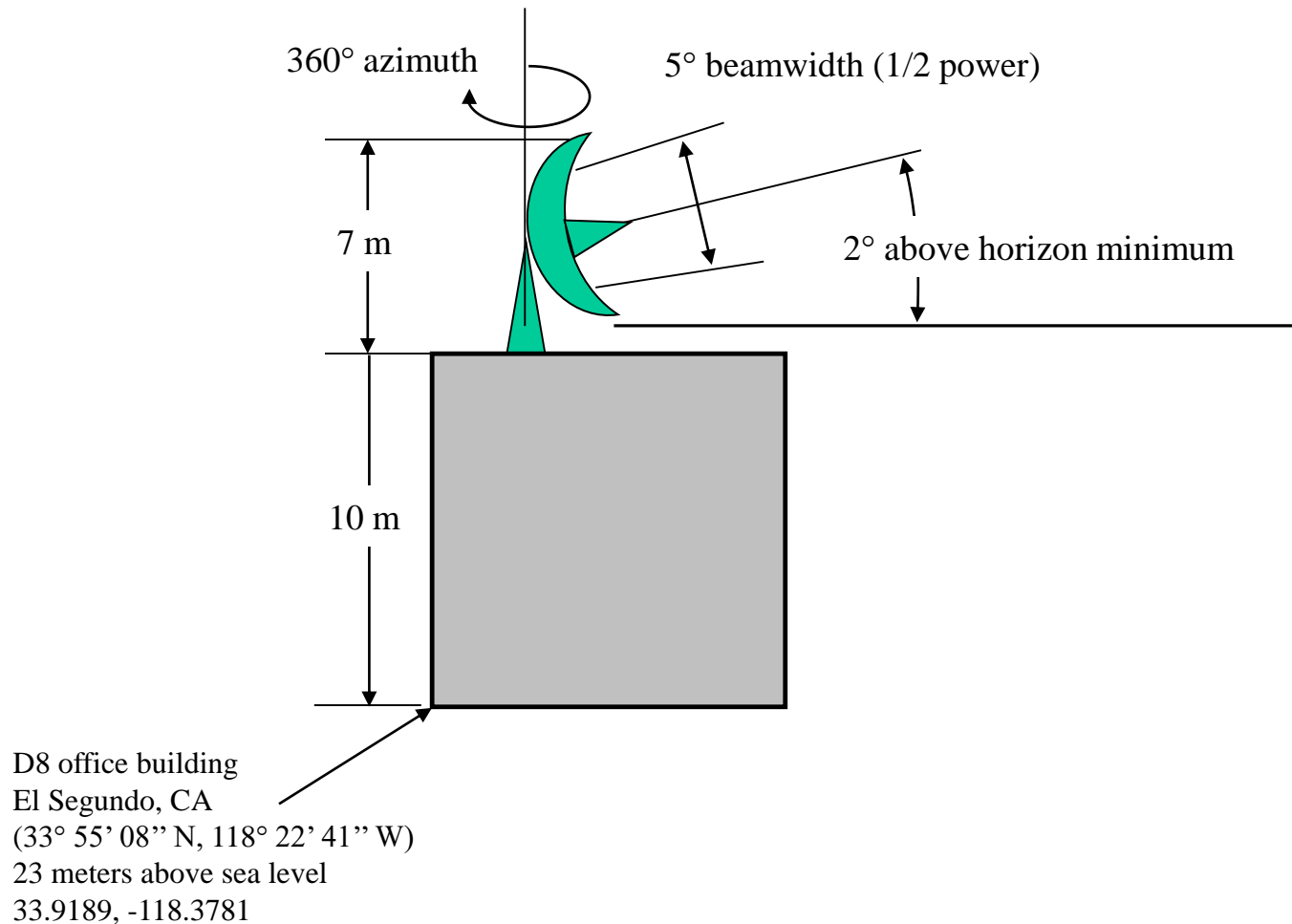
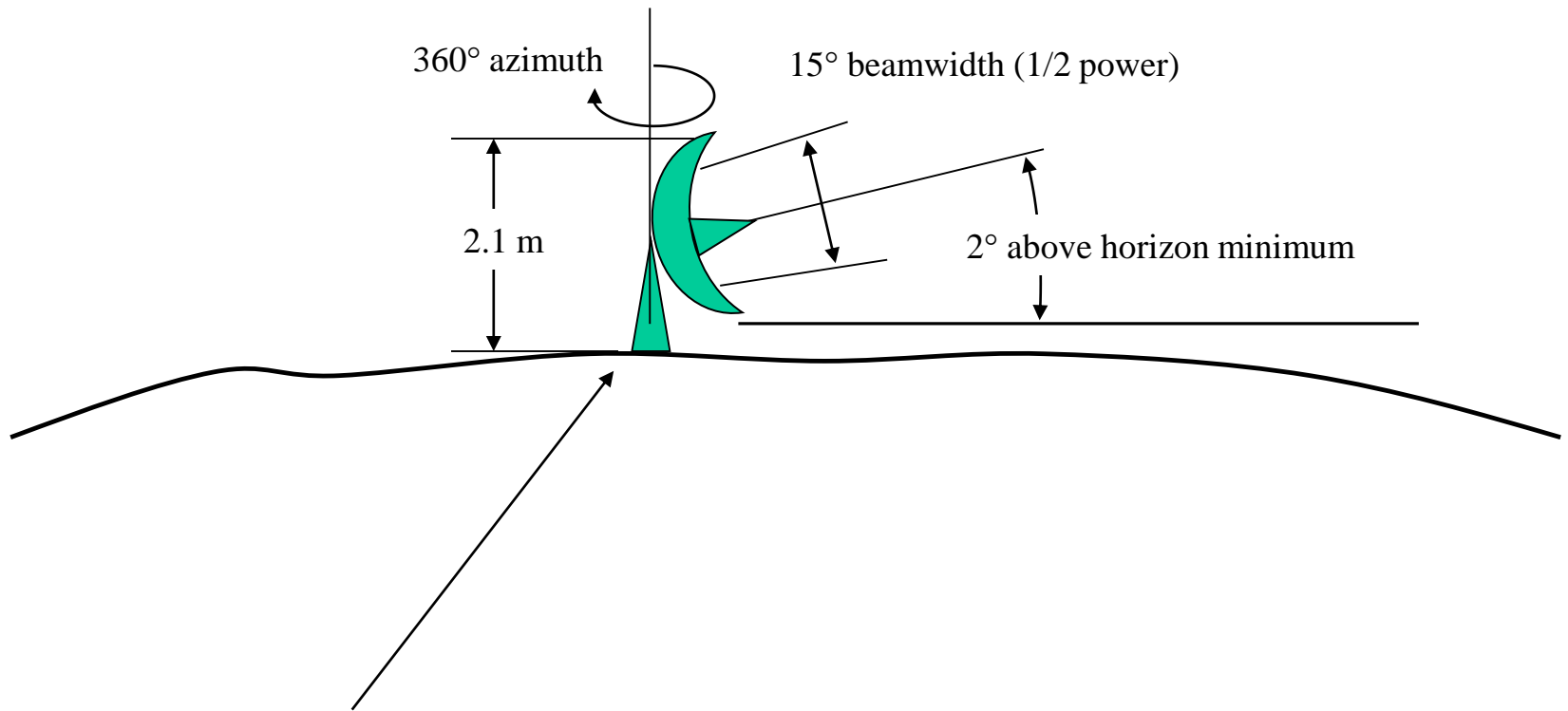


# 1) El Segundo antenna

## Beam Characteristics and FAA sketch

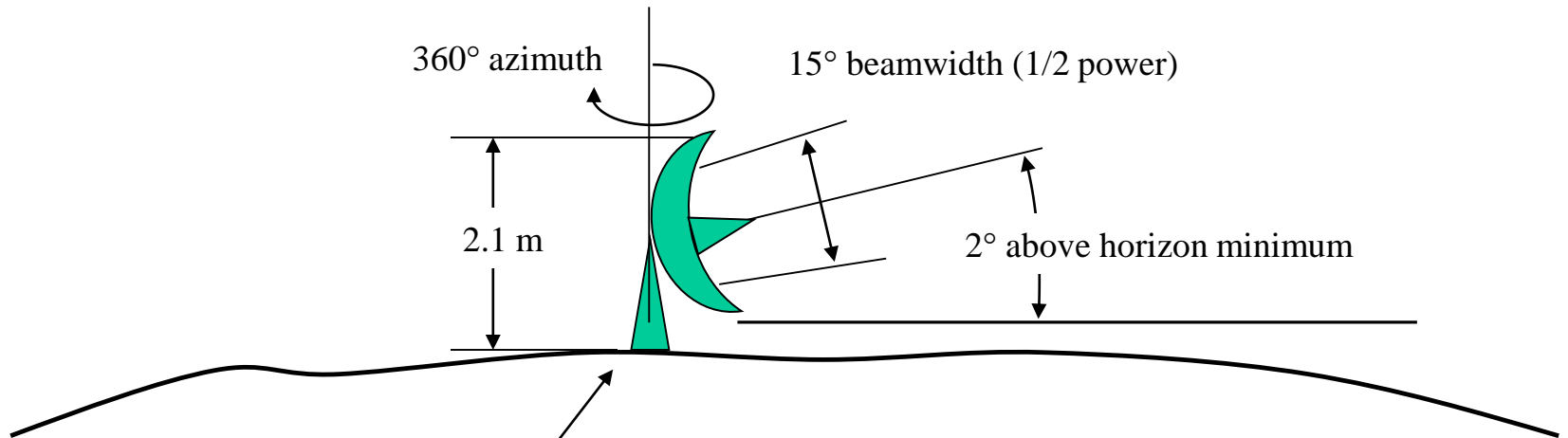


## 2) Texas A&M antenna Beam Characteristics and FAA sketch



College Station, Texas  
(30° 38' 35" N, 96° 28' 21" W)  
107 meters above sea level  
30.6431, -96.4725

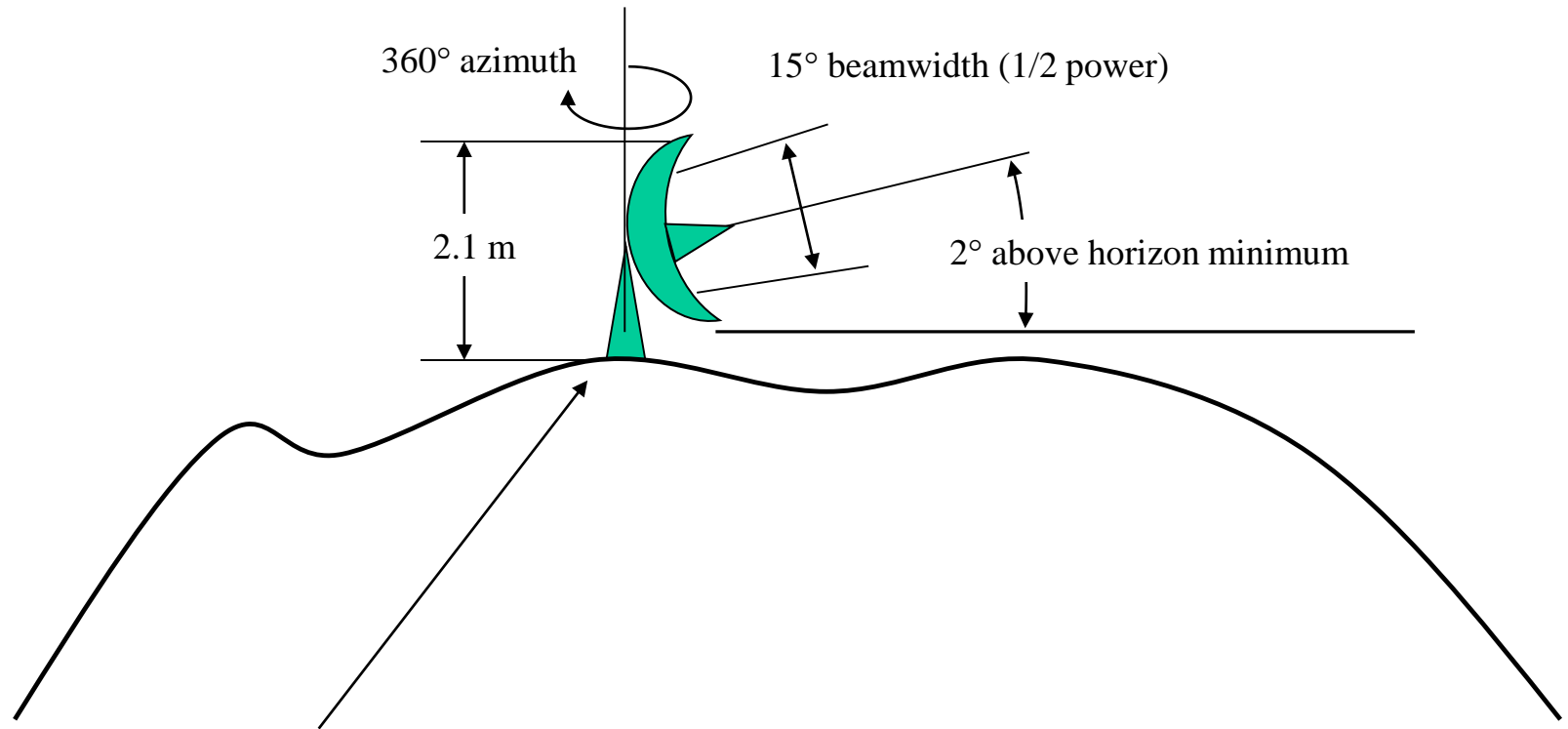
### 3) University of Florida, Gainesville, FL Beam Characteristics and FAA sketch



Gainesville, Florida  
(29° 37' 37" N, 82° 21' 39" W)  
36 meters above sea level  
29.6268, -82.3607

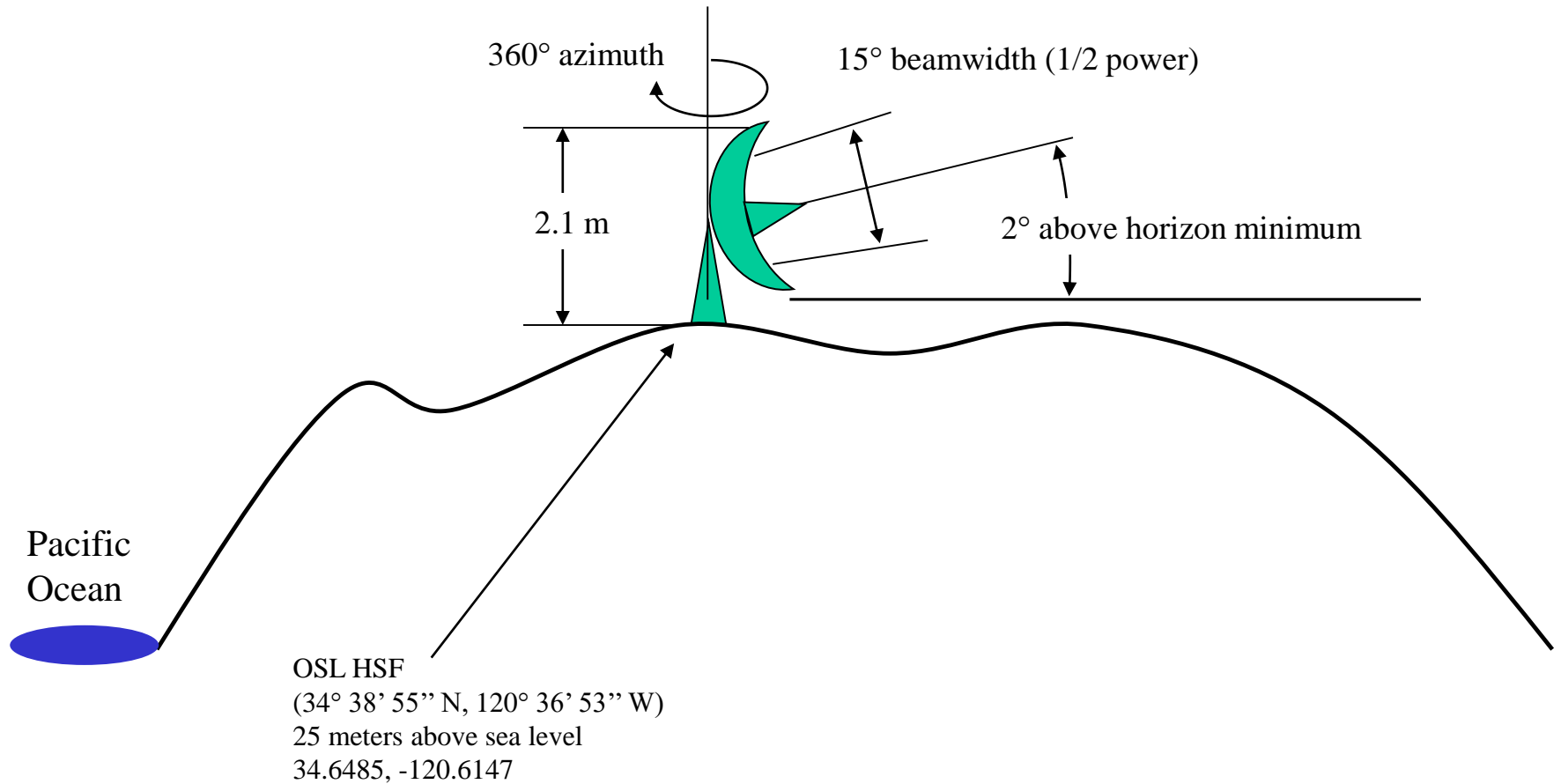
## 4) Mt. Wilson, CA

### Beam Characteristics and FAA sketch

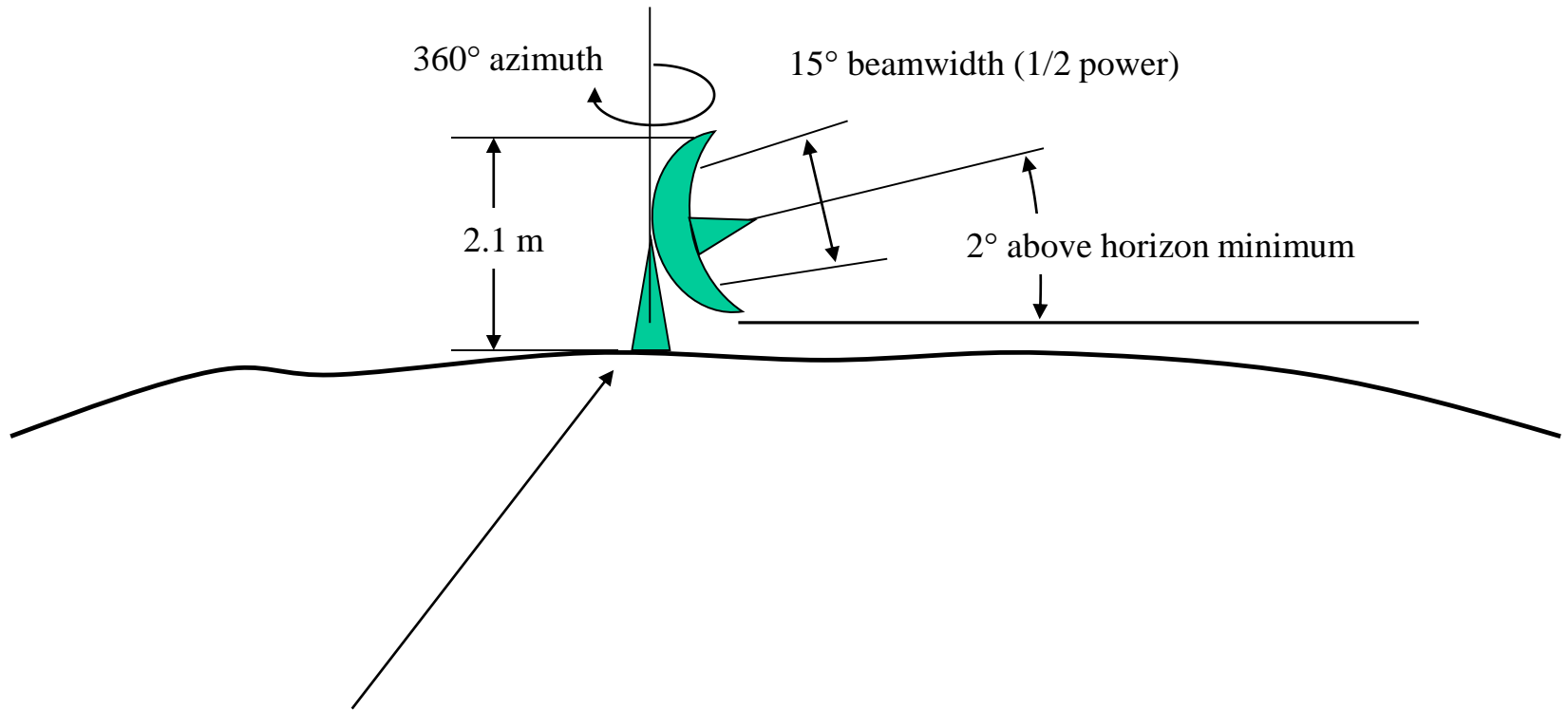


Mt. Wilson Observatory  
Mt. Wilson, CA  
(34° 13' 29" N, -118° 3' 22" W)  
1736 meters above sea level  
34.2247, -118.0561

# 5) USAF Base, Vandenberg, CA Beam Characteristics and FAA sketch

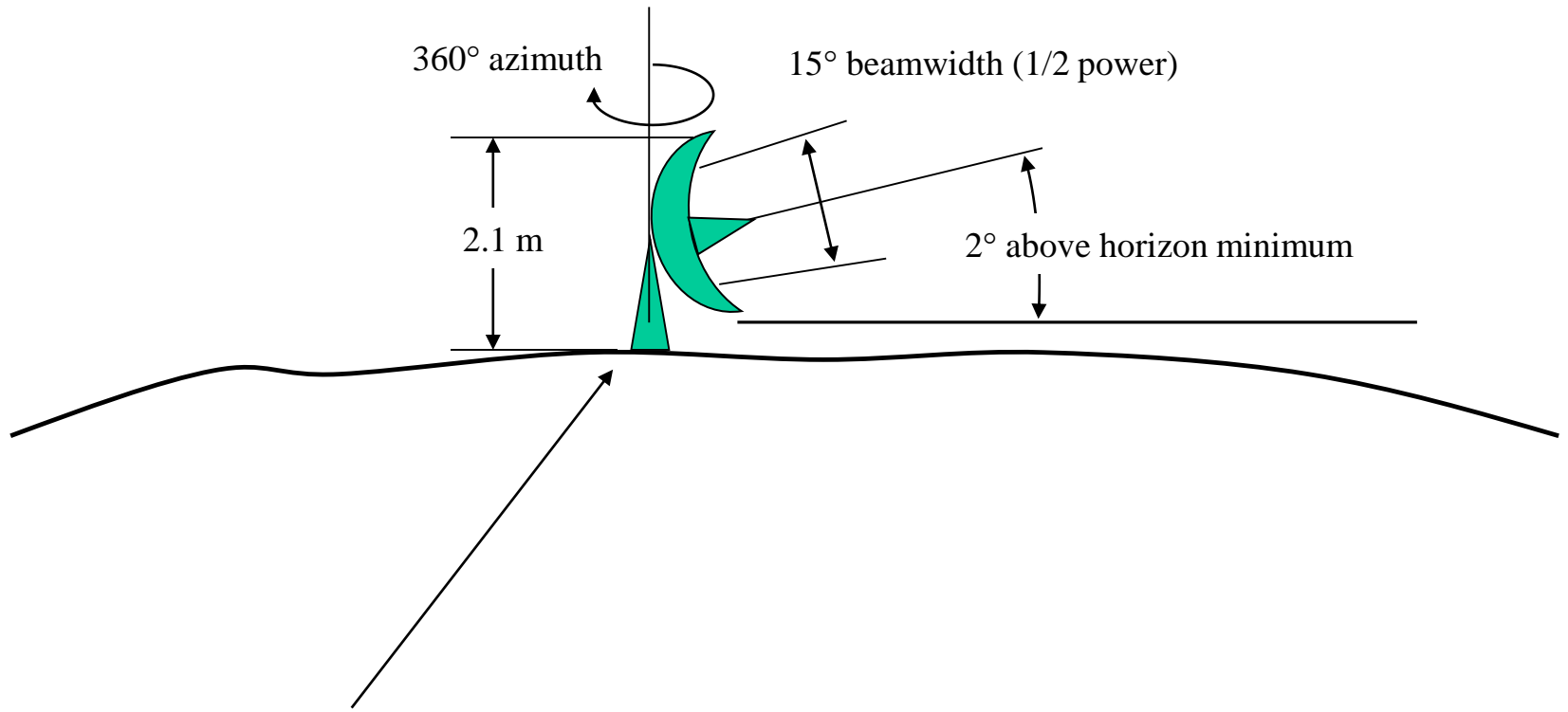


## 6) AFRL/RDSM, Kihei, Maui, HI Beam Characteristics and FAA sketch



Kihei, HI  
(20° 44' 48" N, 156° 25' 53" W)  
10 meters above sea level  
20.7466, -156.4315

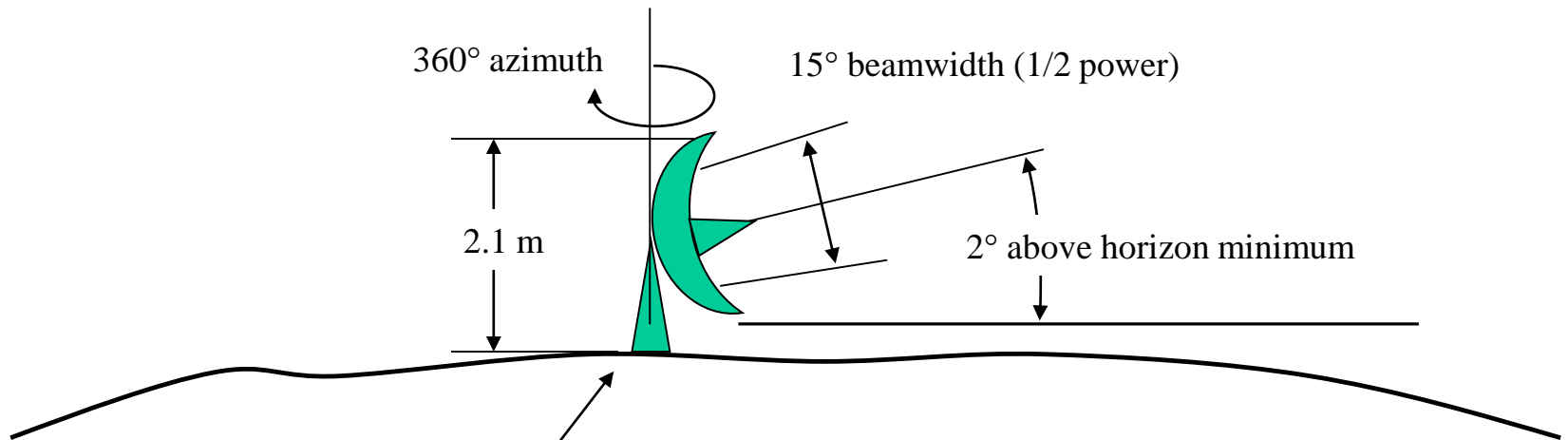
# 7) University of Minnesota, Ash River, Minnesota Beam Characteristics and FAA sketch



Ash River, Minnesota (Nova Far facility)  
(48° 22' 45" N, 92° 49' 56" W)  
372 meters above sea level  
48.3792, -92.8322

# 8) LDA, Limestone, ME

## Beam Characteristics and FAA sketch

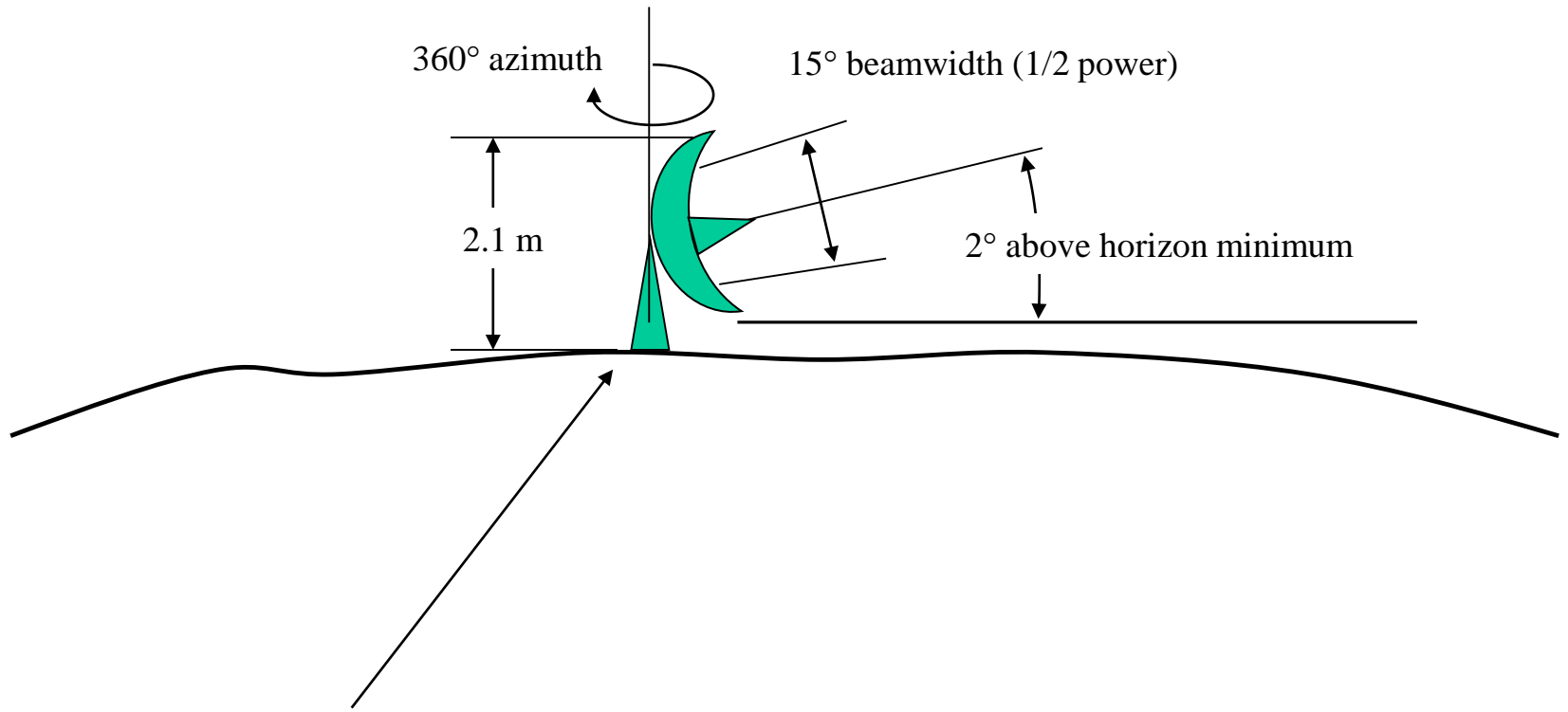


Limestone, ME  
(46° 56' 28" N, 67° 53' 58" W)  
159 meters above sea level  
46.9410, -67.8995



# 9) Fairchild AFB, Spokane WA

## Beam Characteristics and FAA sketch



Spokane WA  
(47° 38' 05'' N, 117° 37' 58'' W)  
562 meters above sea level  
47.6346, -117.6328