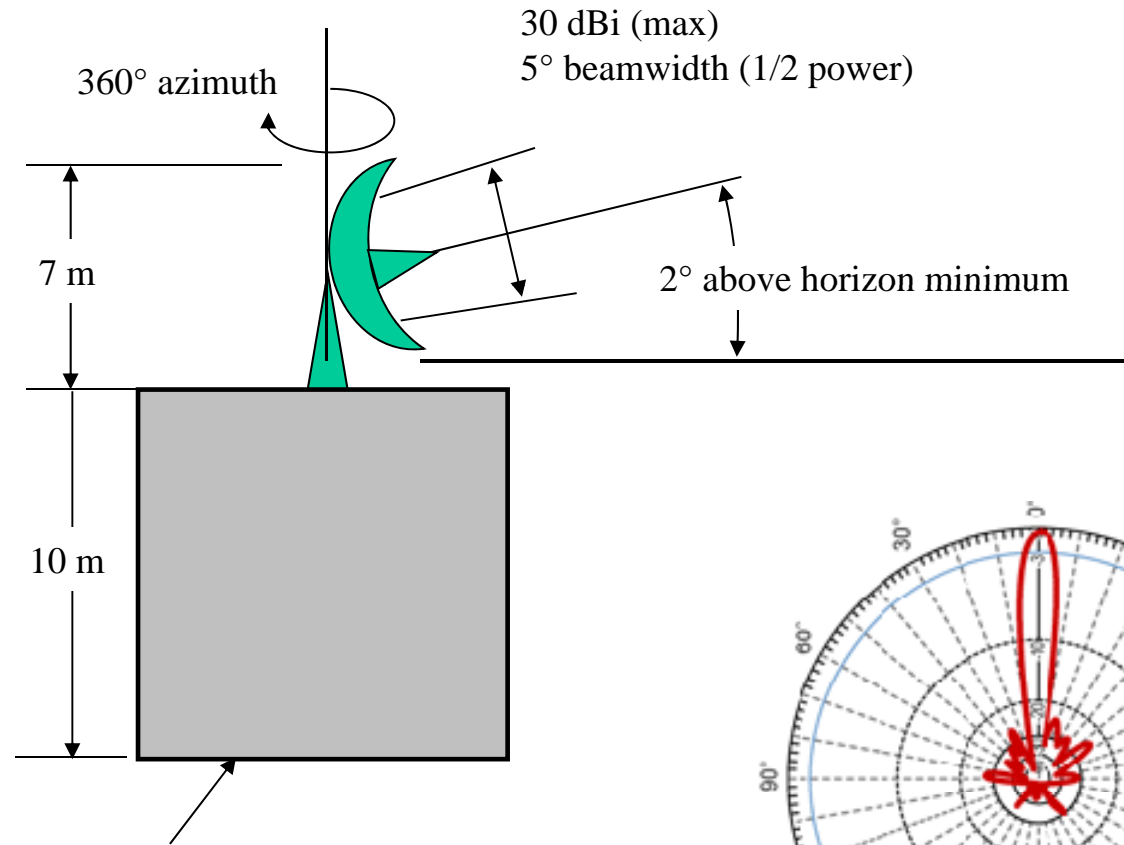
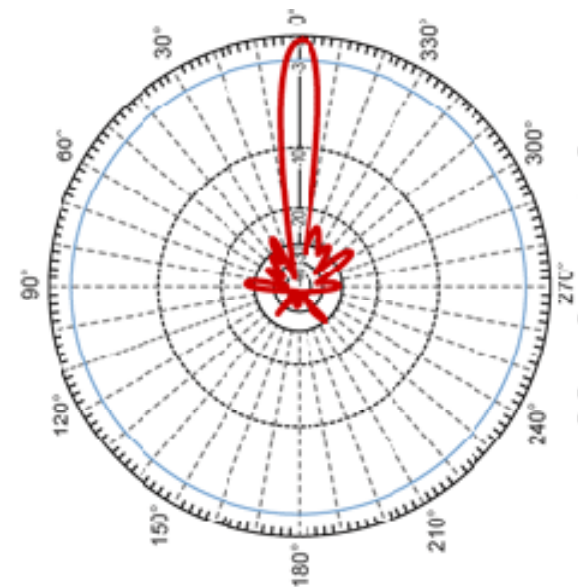


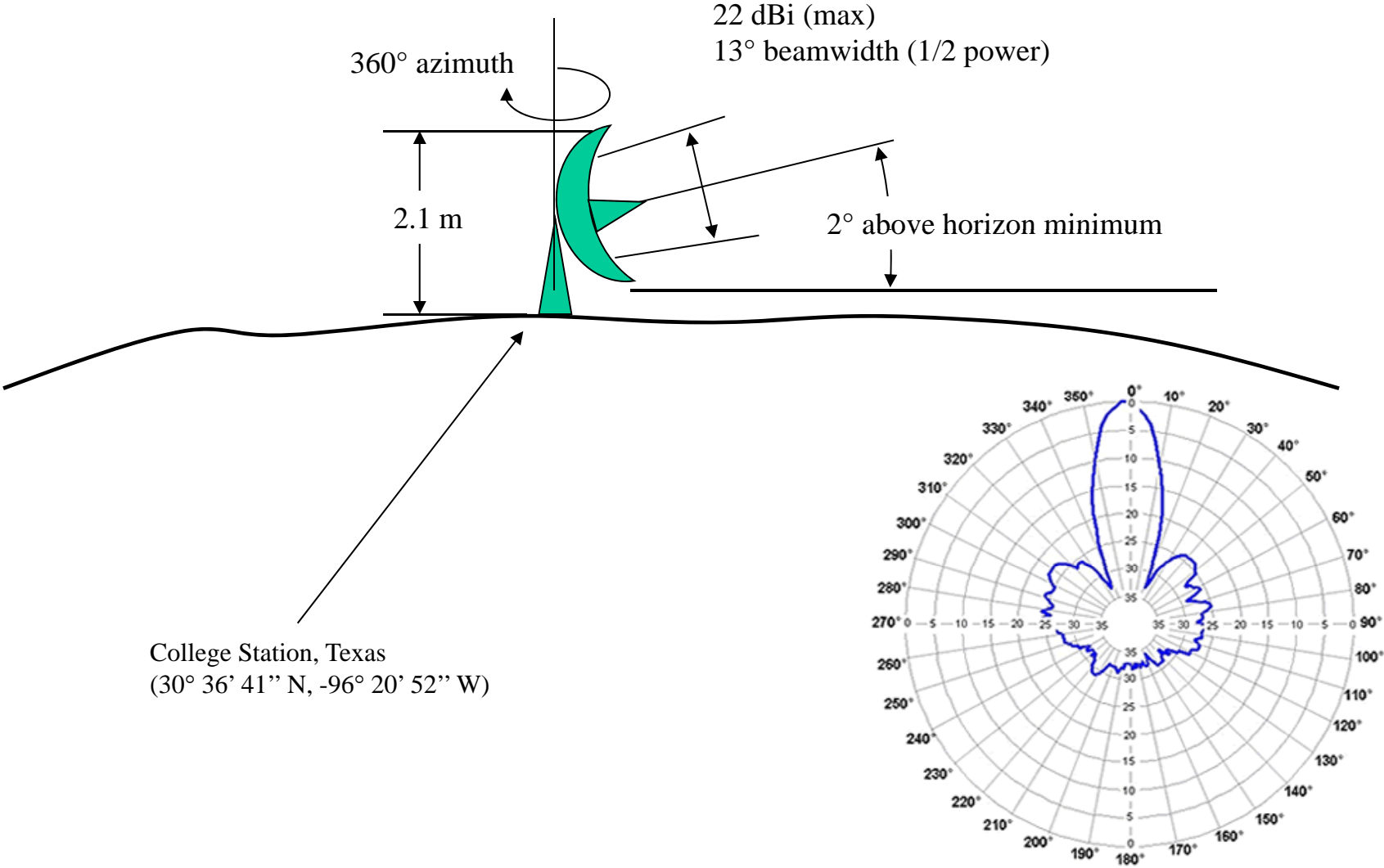
El Segundo antenna Beam Characteristics and FAA sketch



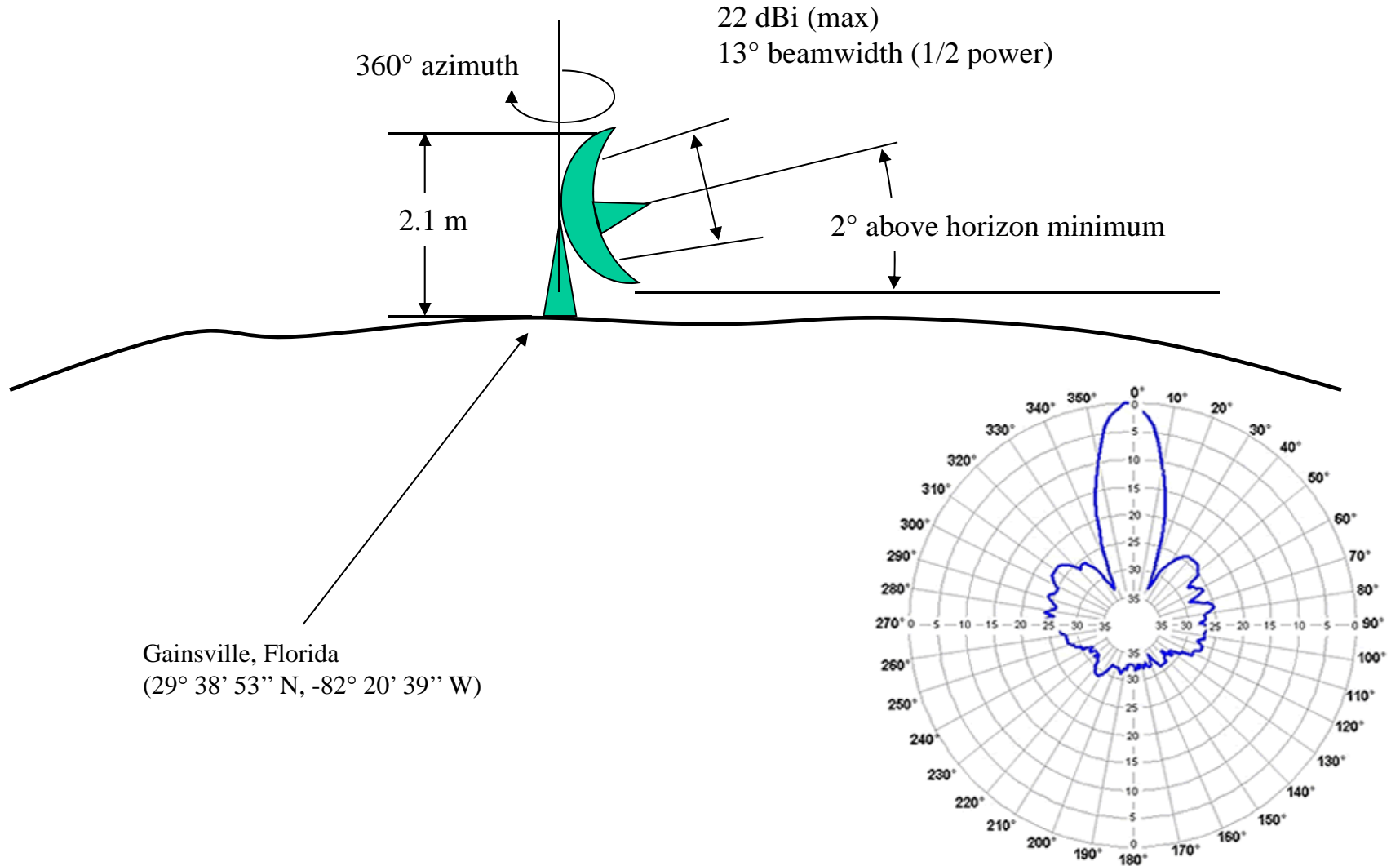
D8 office building
El Segundo, CA
(33° 54' 52" N, -118° 22' 49" W)



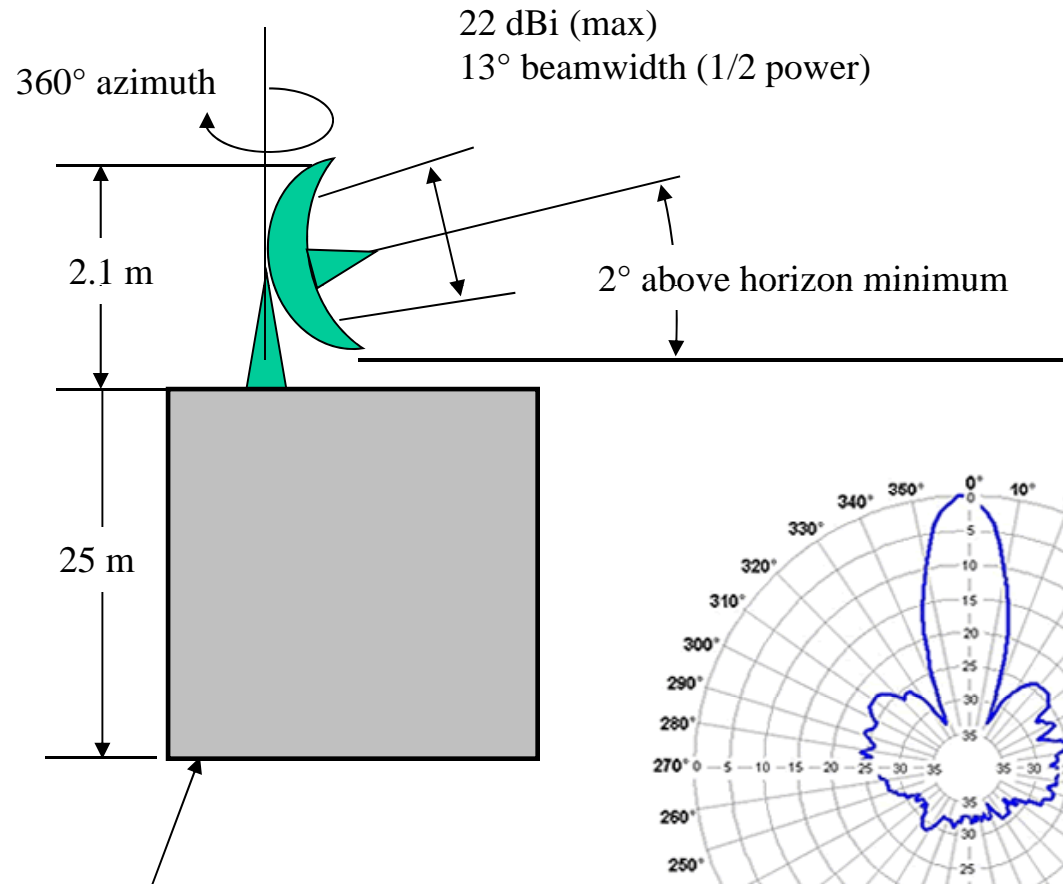
Texas A&M antenna Beam Characteristics and FAA sketch



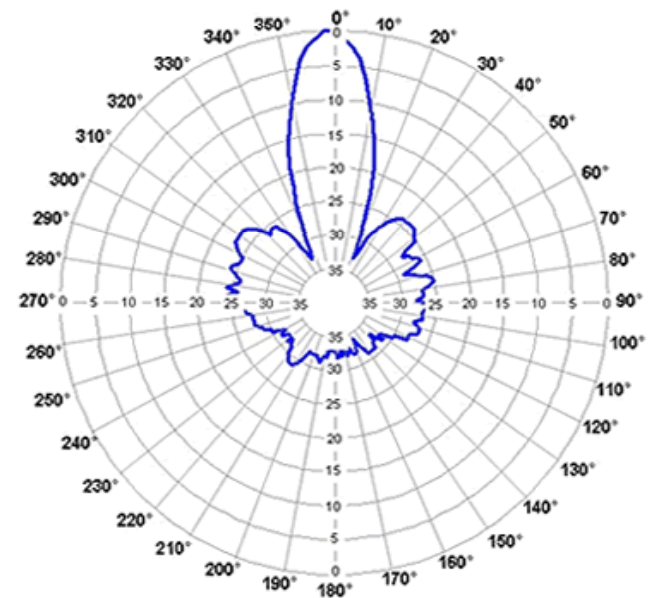
University of Florida antenna Beam Characteristics and FAA sketch



University of Hawaii, Manoa Campus, Honolulu, HI Beam Characteristics and FAA sketch



Univ of Hawaii, ME Dept. Bldg
(21° 17' 50" N, -157° 48' 58" W)



Mt. Wilson, CA

Beam Characteristics and FAA sketch

