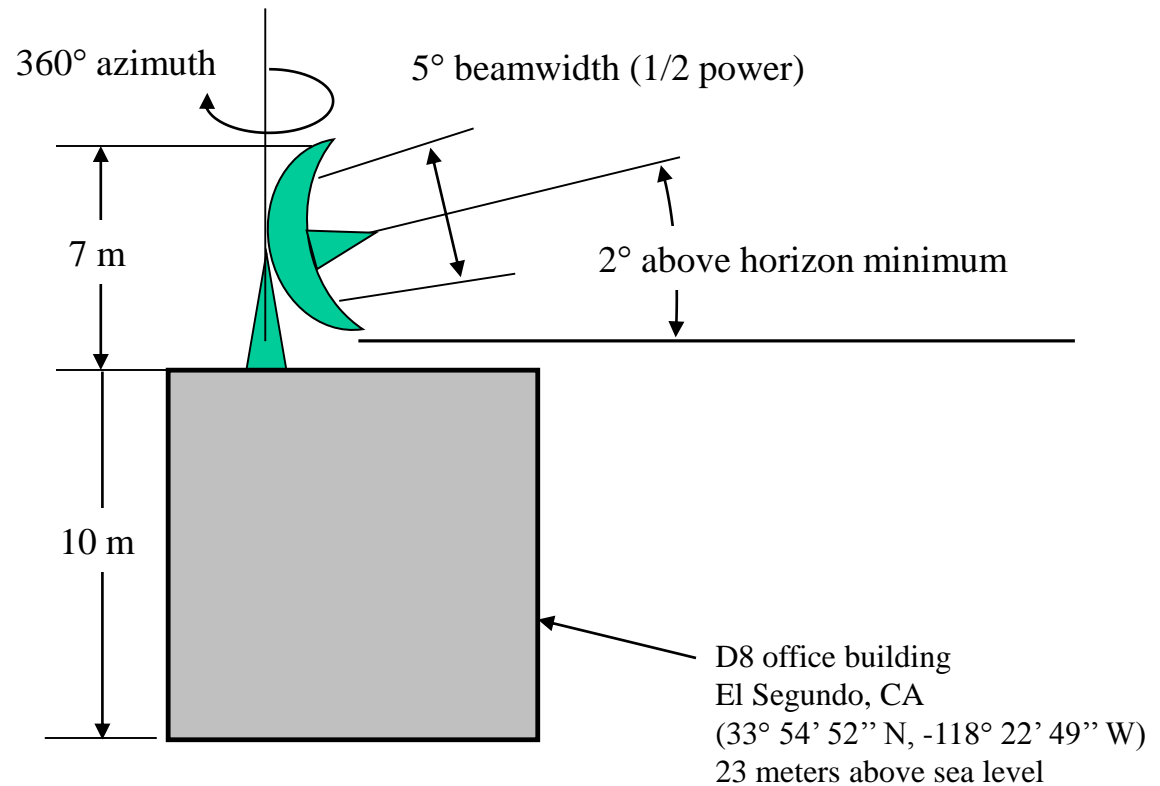
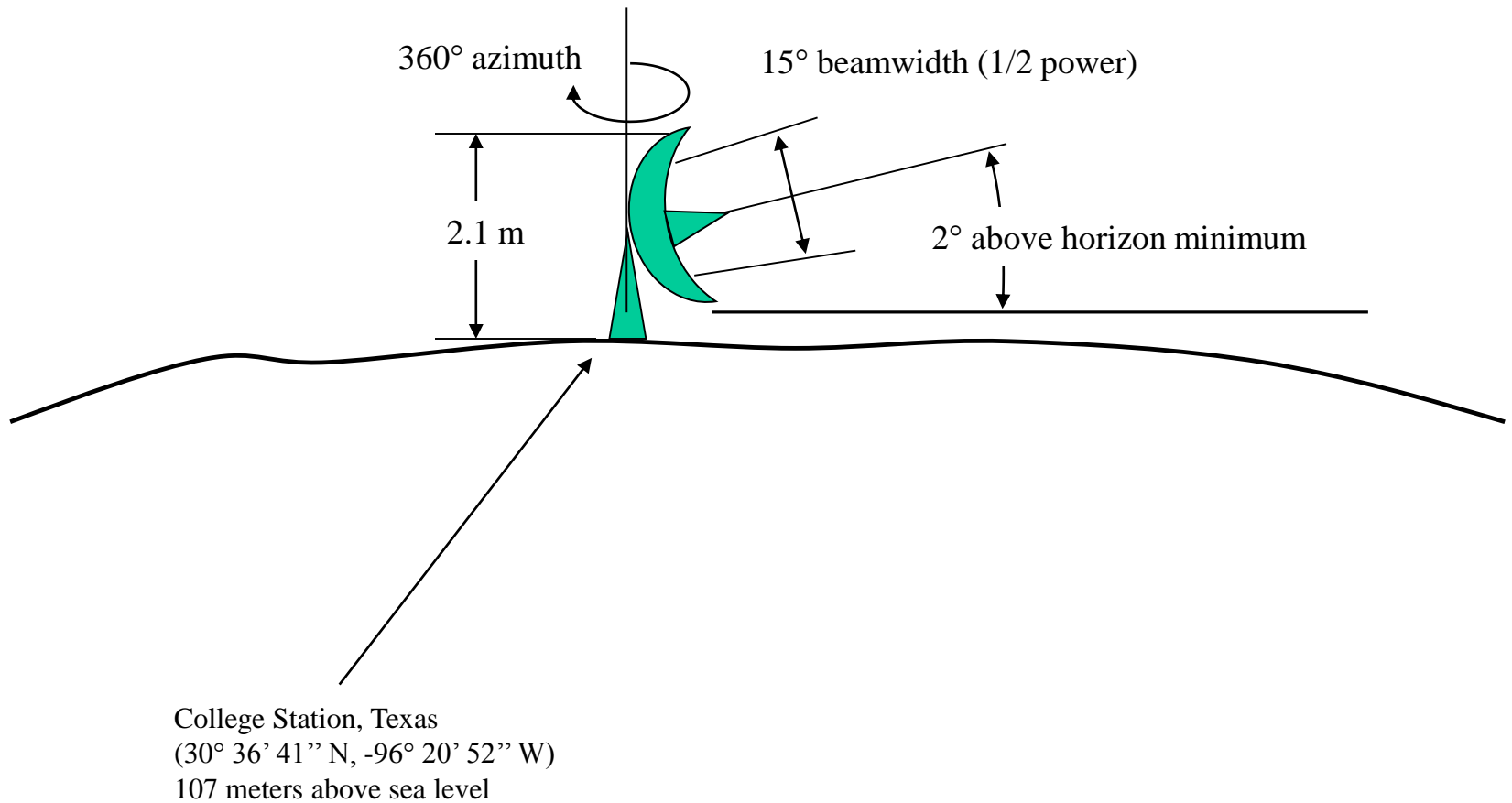


# 1) El Segundo antenna

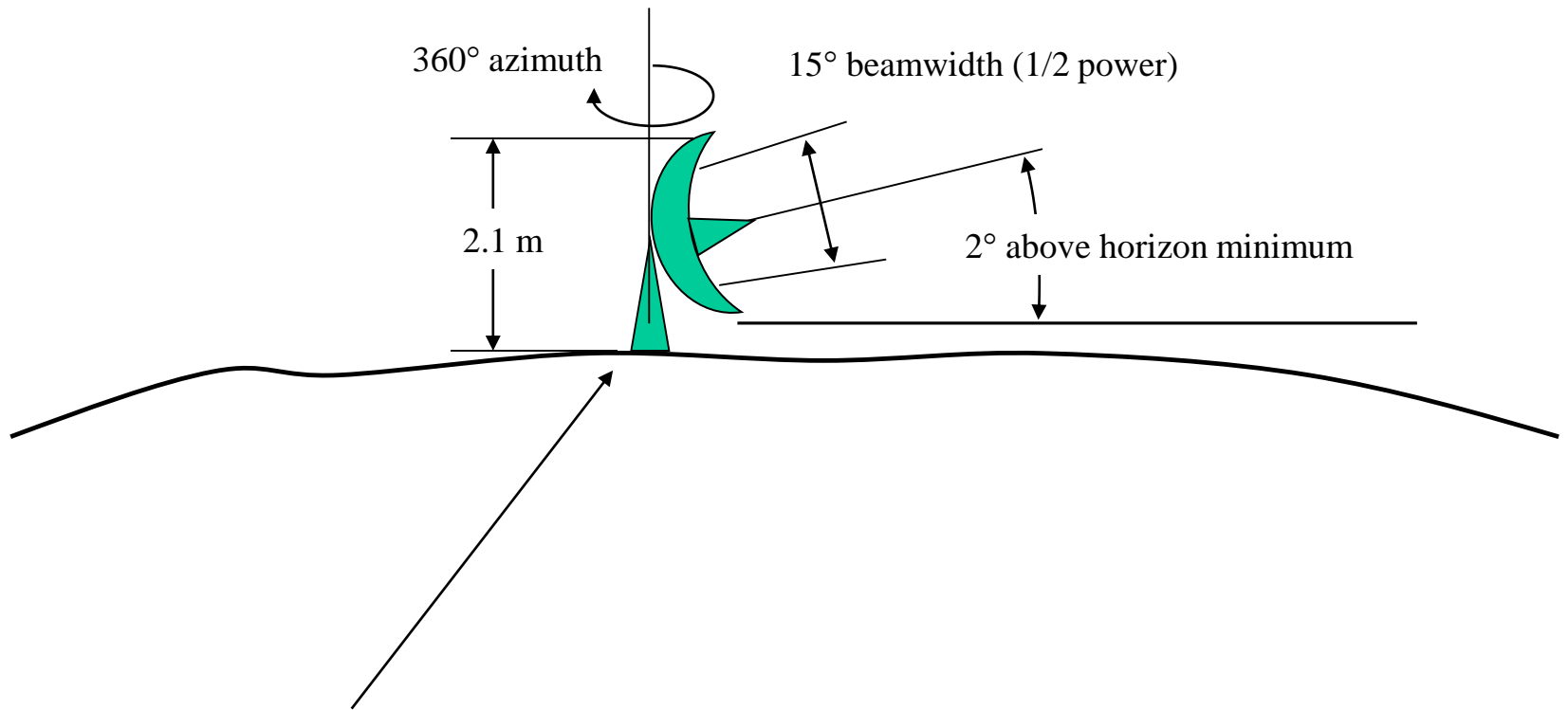
## Beam Characteristics and FAA sketch



## 2) Texas A&M antenna Beam Characteristics and FAA sketch

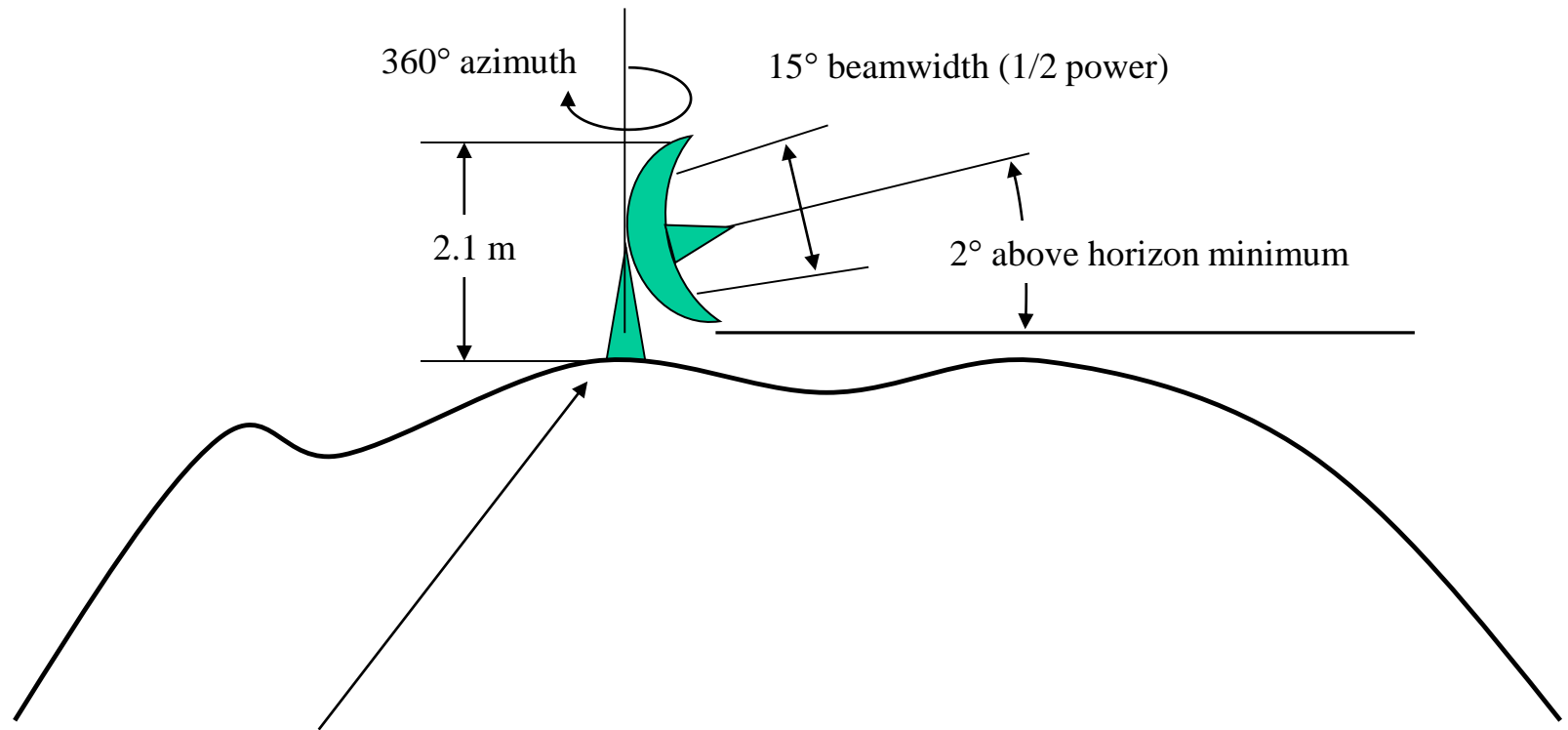


### 3) University of Florida antenna Beam Characteristics and FAA sketch



Gainsville, Florida  
(29° 38' 53" N, -82° 20' 39" W)  
36 meters above sea level

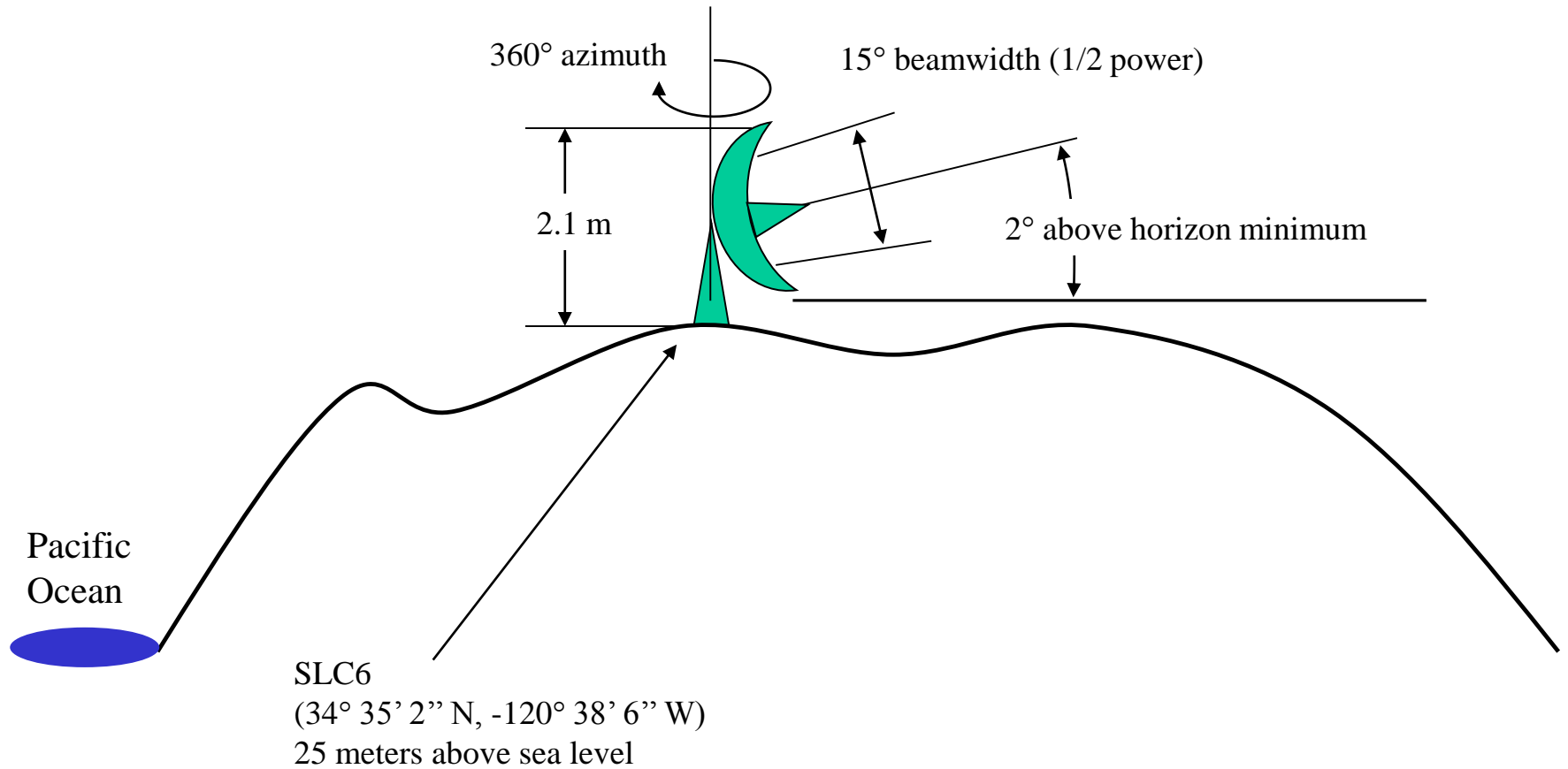
## 4) Mt. Wilson, CA Beam Characteristics and FAA sketch



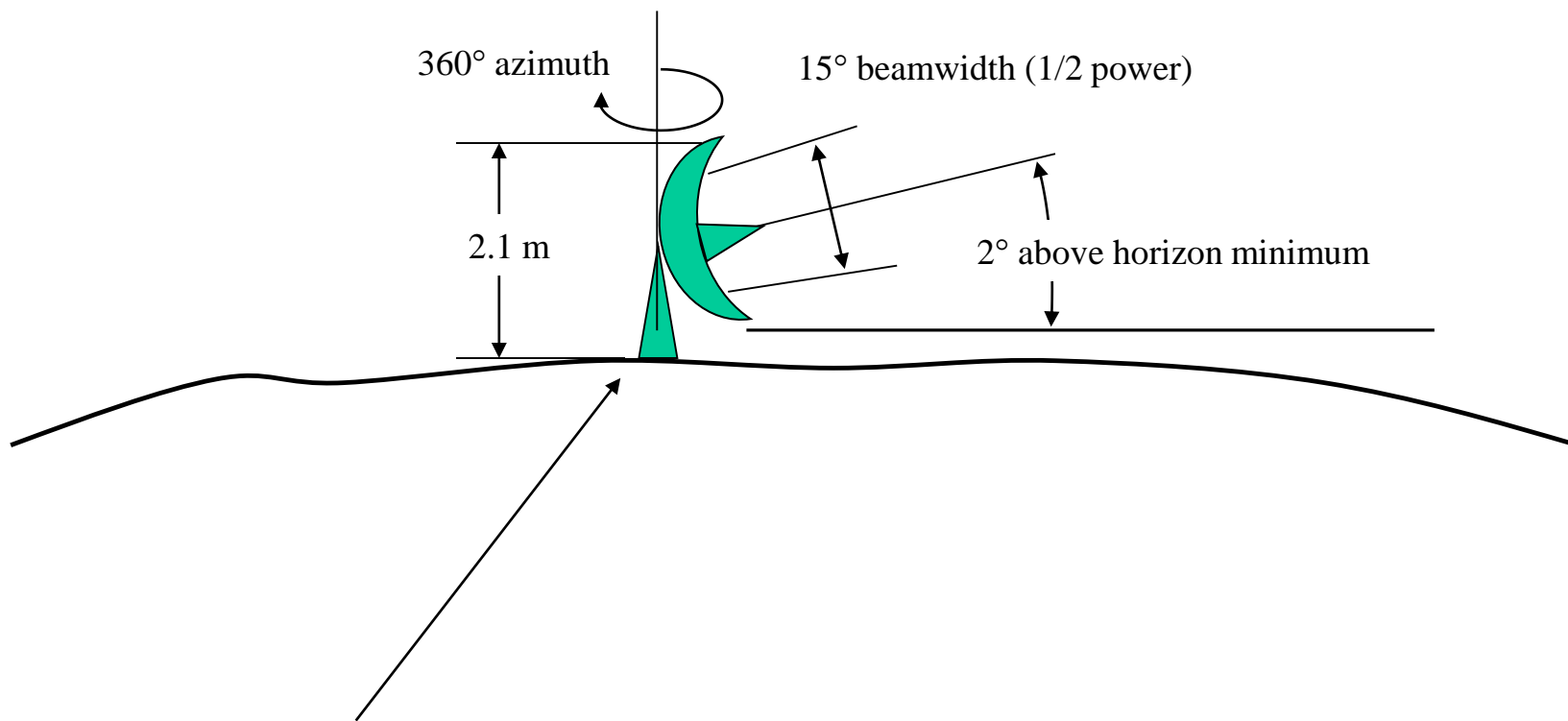
Mt. Wilson Observatory  
Mt. Wilson, CA  
(34° 13' 29" N, -118° 3' 23" W)  
1736 meters above sea level

# 5) USAF Base, Vandenberg, CA

## Beam Characteristics and FAA sketch



## 6) AFRL/RDSM, Kihei, Maui, HI Beam Characteristics and FAA sketch



Kihei, HI  
(20° 44' 44" N, -156° 25' 52" W)  
10 meters above sea level