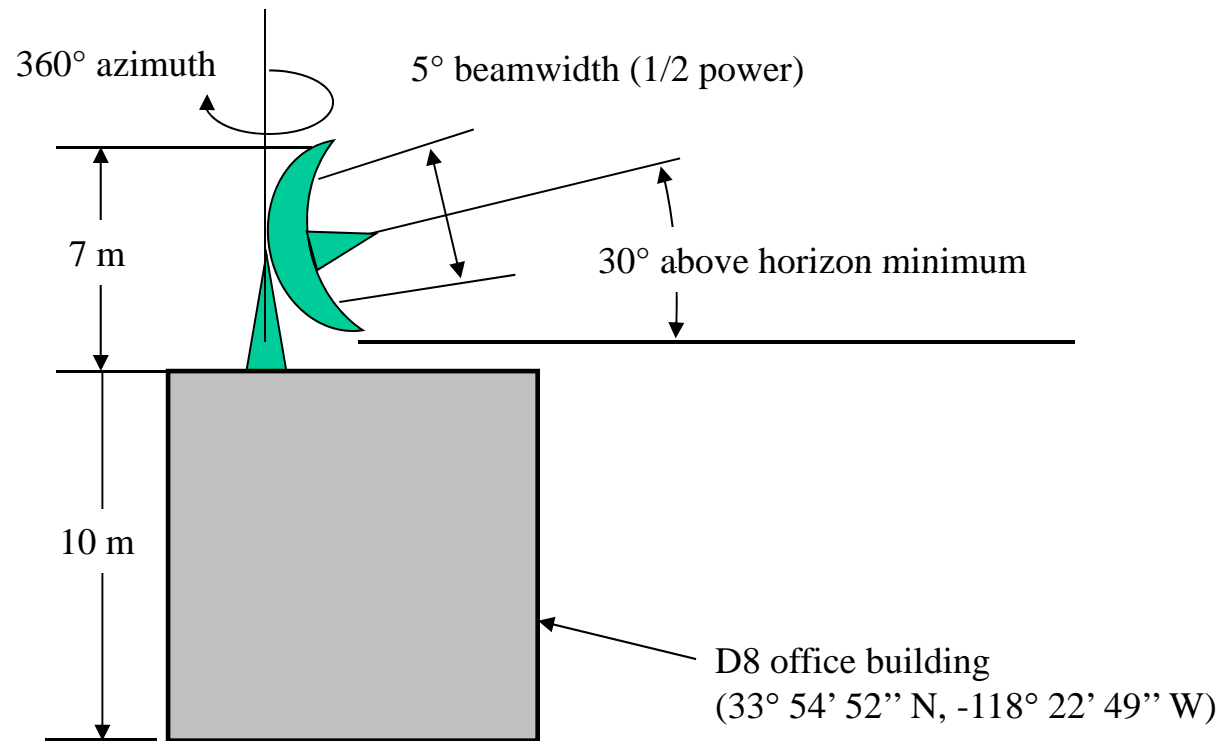


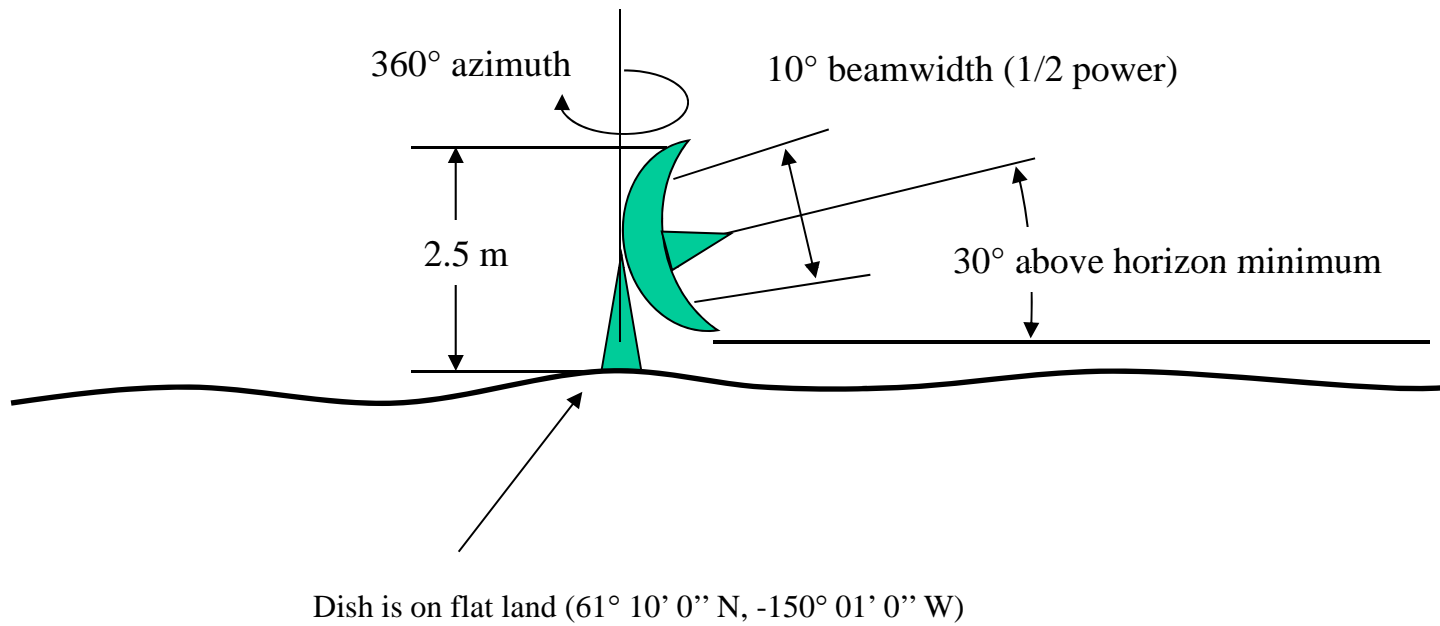
El Segundo antenna Beam Characteristics and FAA sketch



Taken from STA File Number 0018-EX-ST-2008

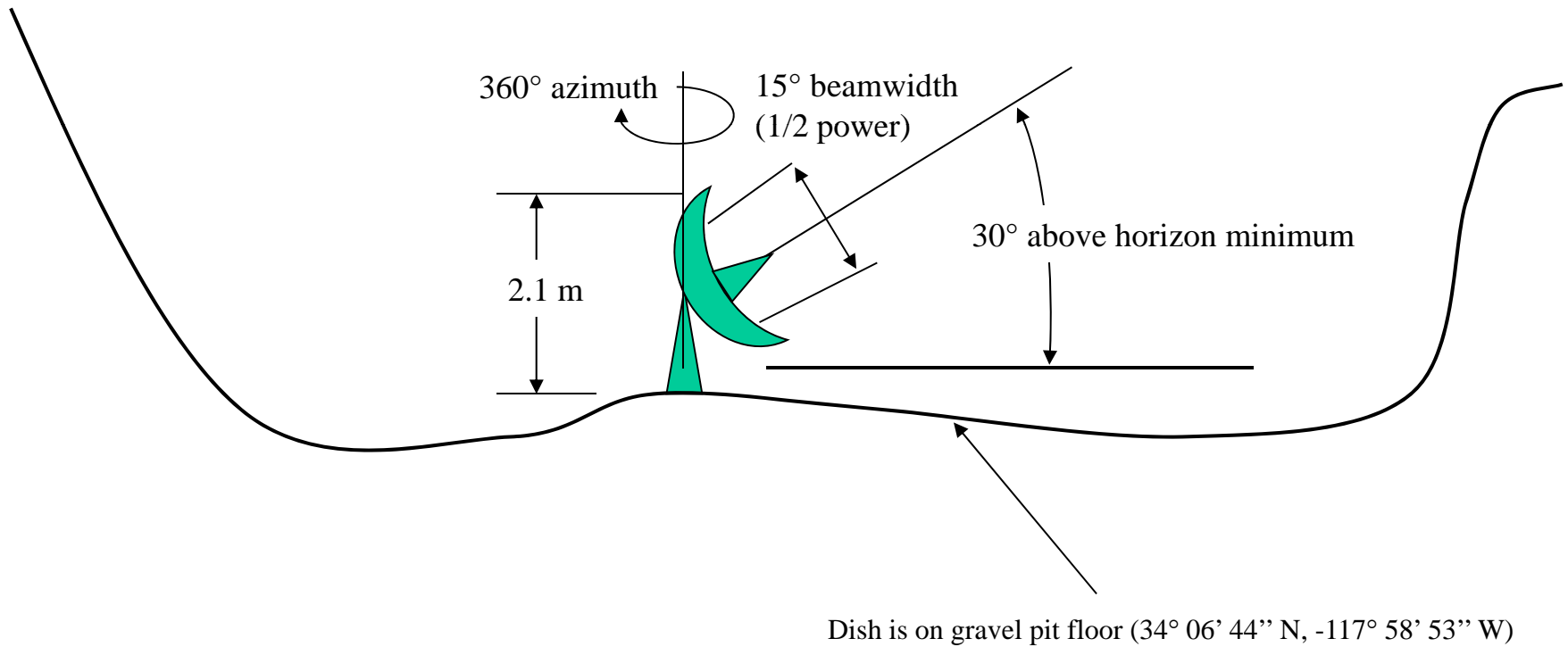
V2

Anchorage antenna Beam Characteristics and FAA sketch



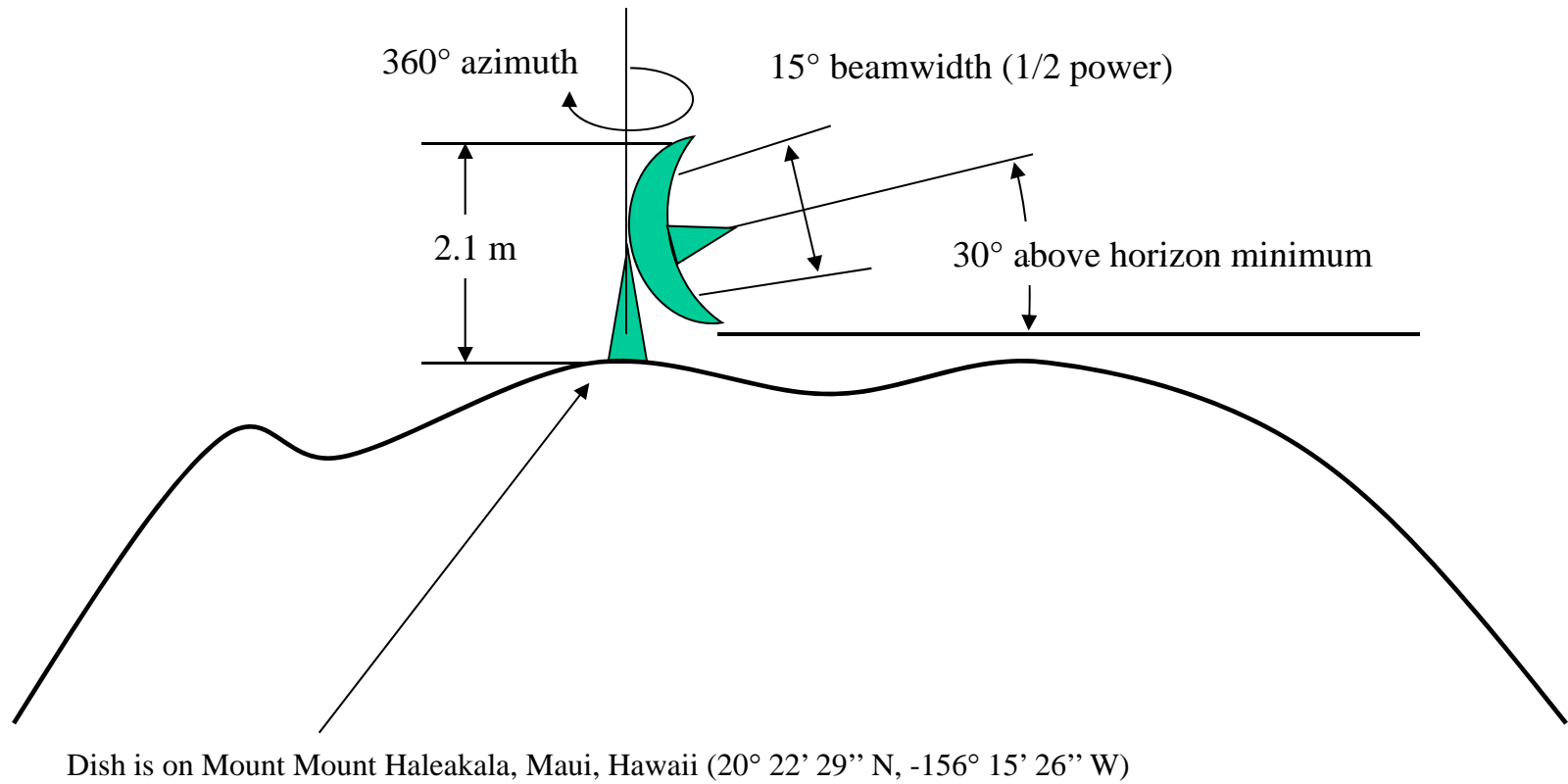
Irwindale antenna

Beam Characteristics and FAA sketch

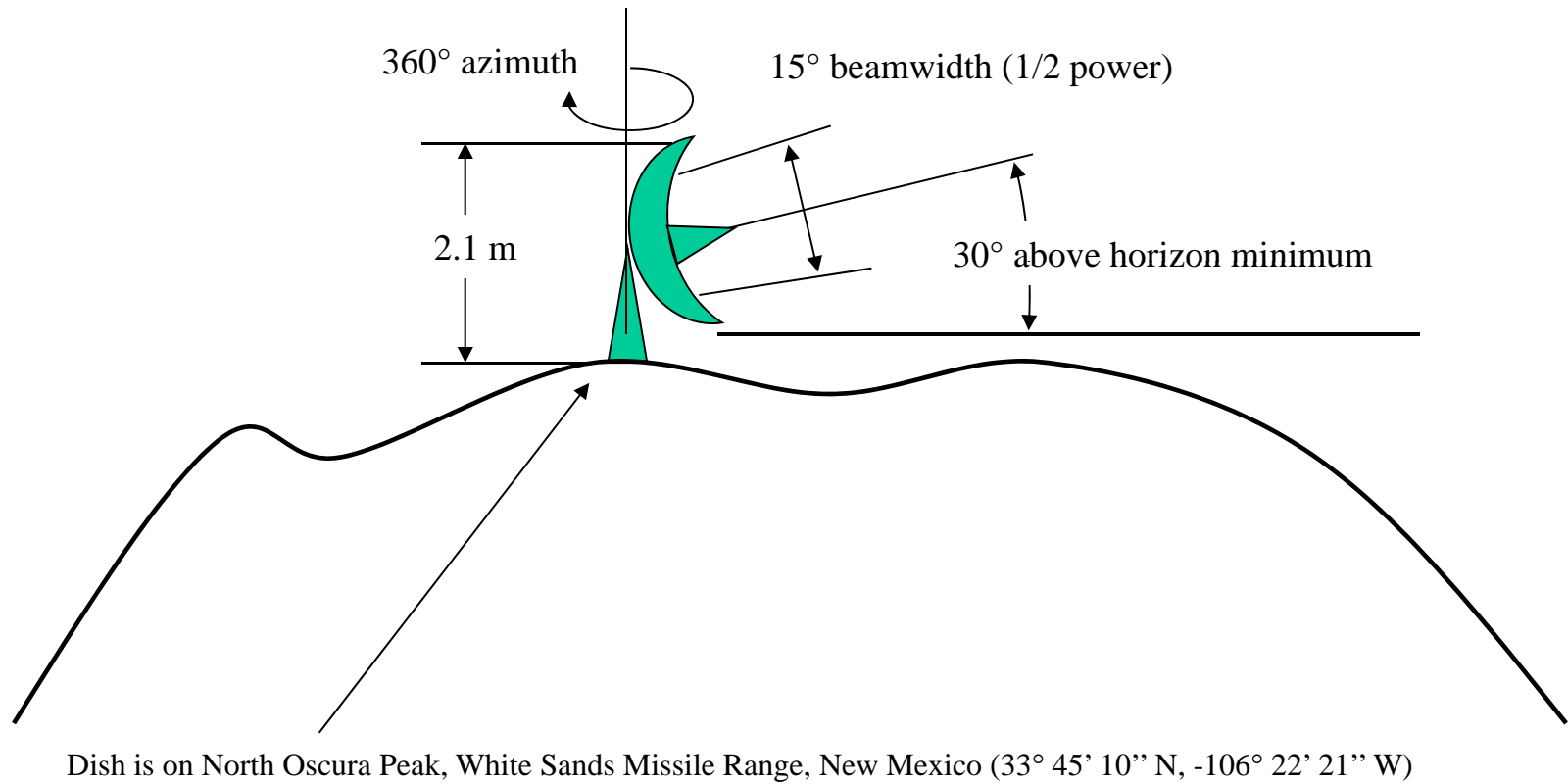


Hawaii antenna (Haleakala)

Beam Characteristics and FAA sketch



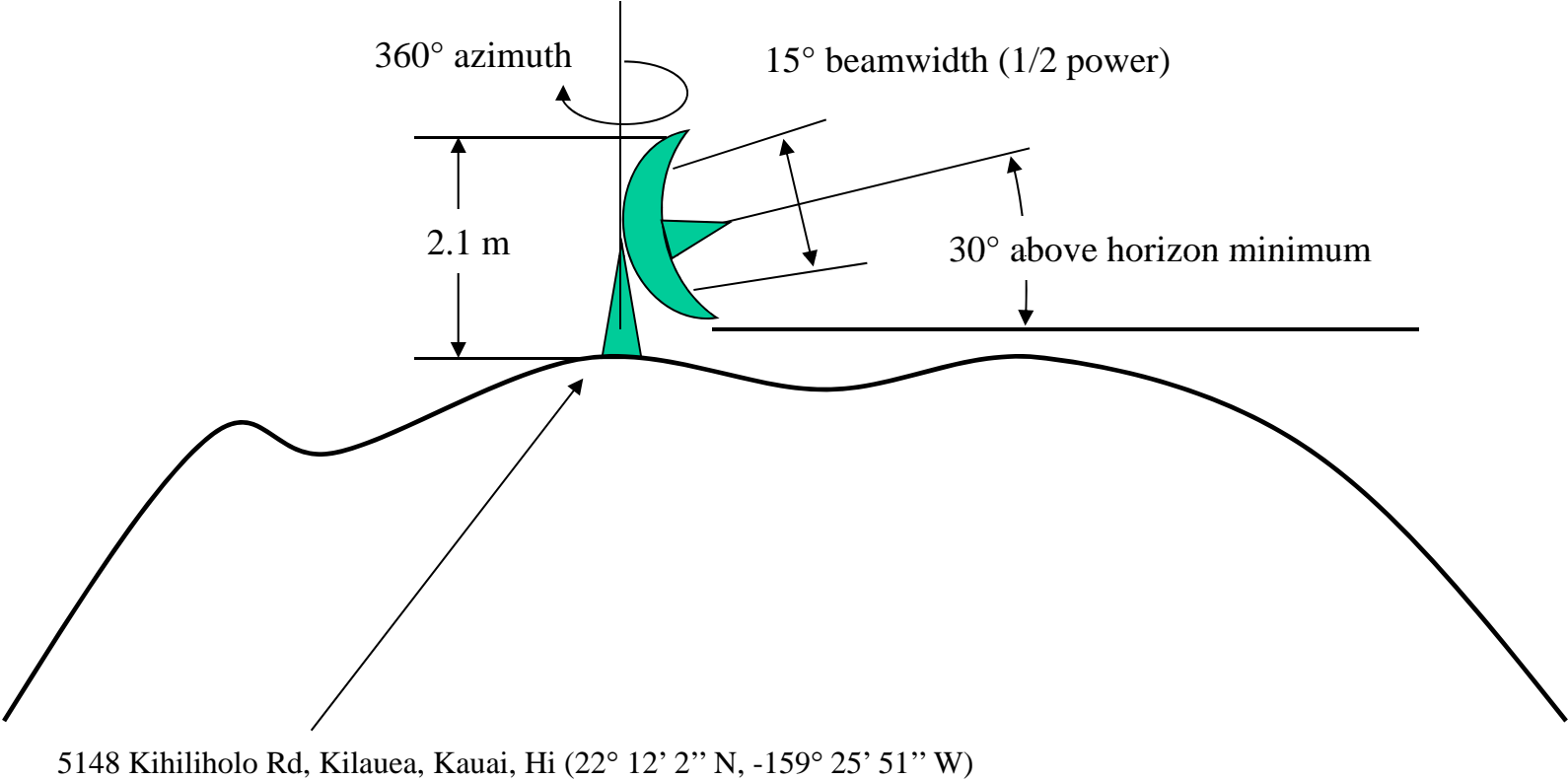
New Mexico antenna Beam Characteristics and FAA sketch



Taken from STA File Number 0018-EX-ST-2008

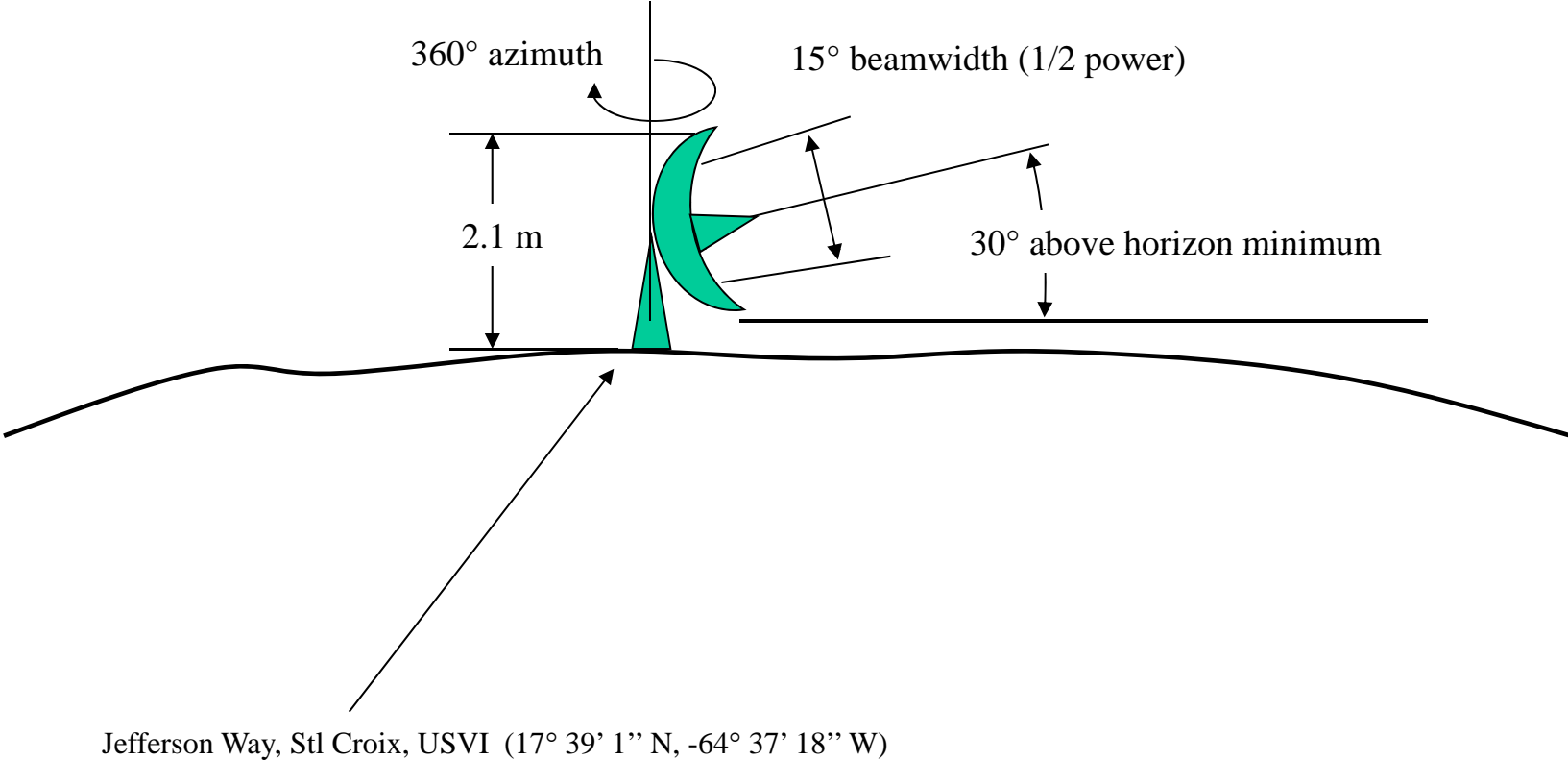
V2

Hawaii antenna (Kauai) Beam Characteristics and FAA sketch



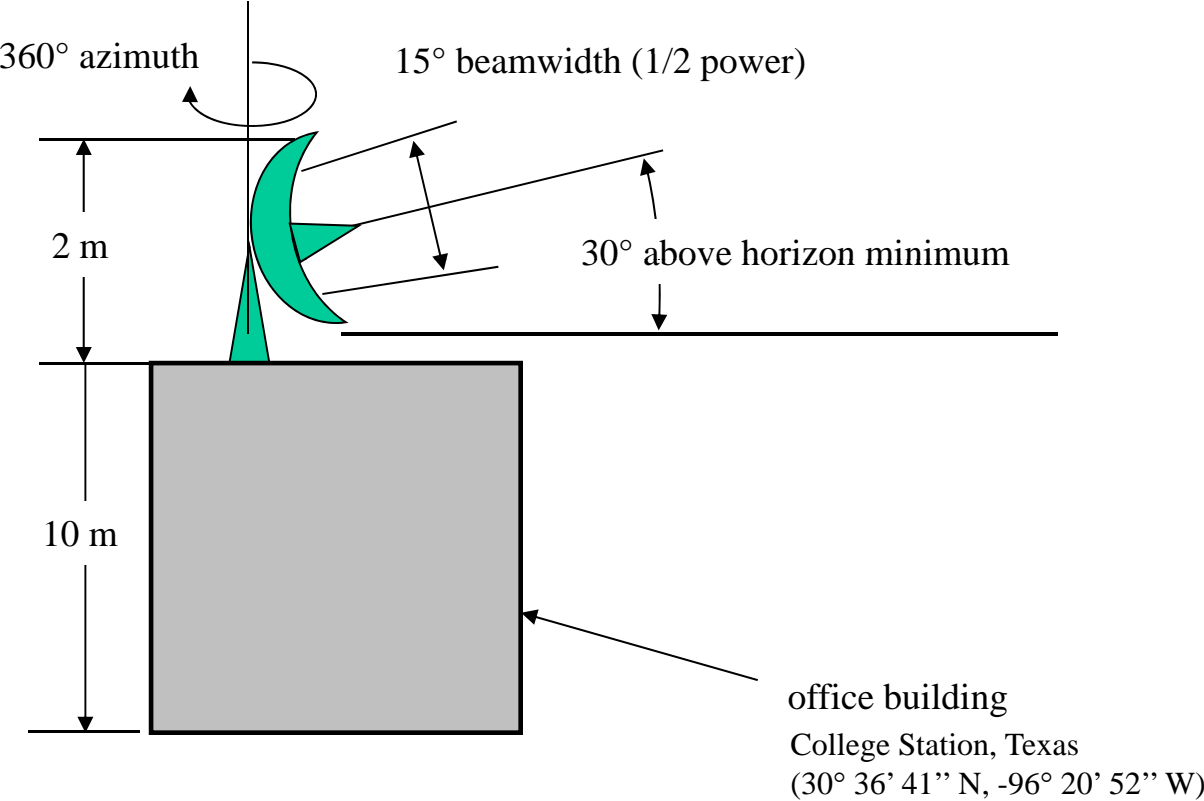
Taken from STA File Number 0246-EX-ST-2011
V2

St. Croix USVI antenna Beam Characteristics and FAA sketch



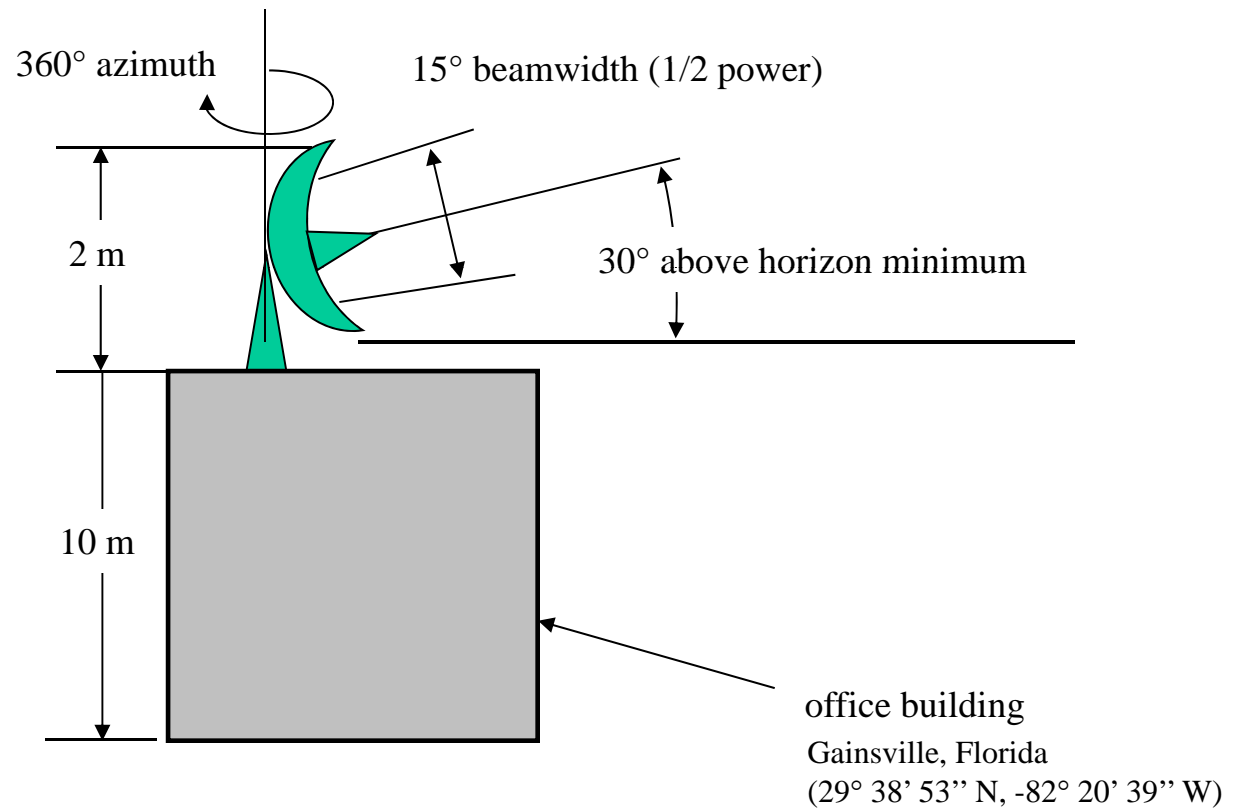
Taken from STA File Number 0246-EX-ST-2011
V2

Texas A&M antenna Beam Characteristics and FAA sketch



New to this STA

University of Florida antenna Beam Characteristics and FAA sketch



New to this STA