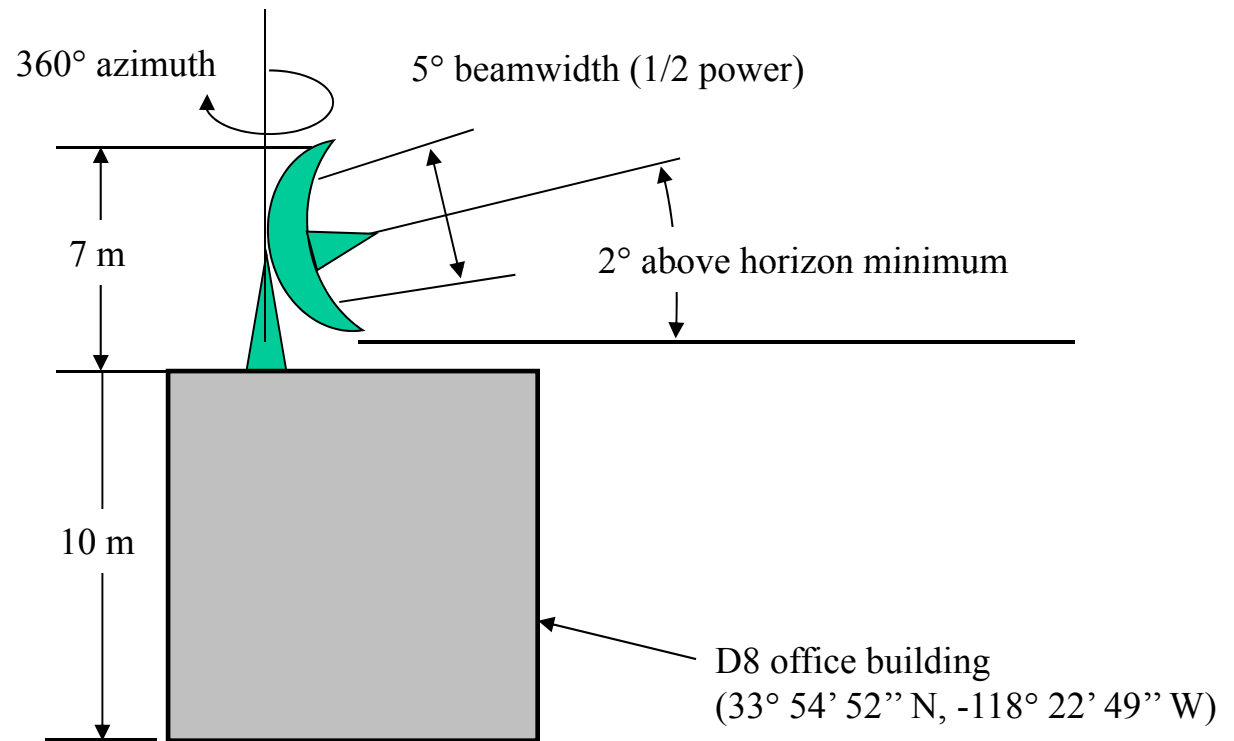
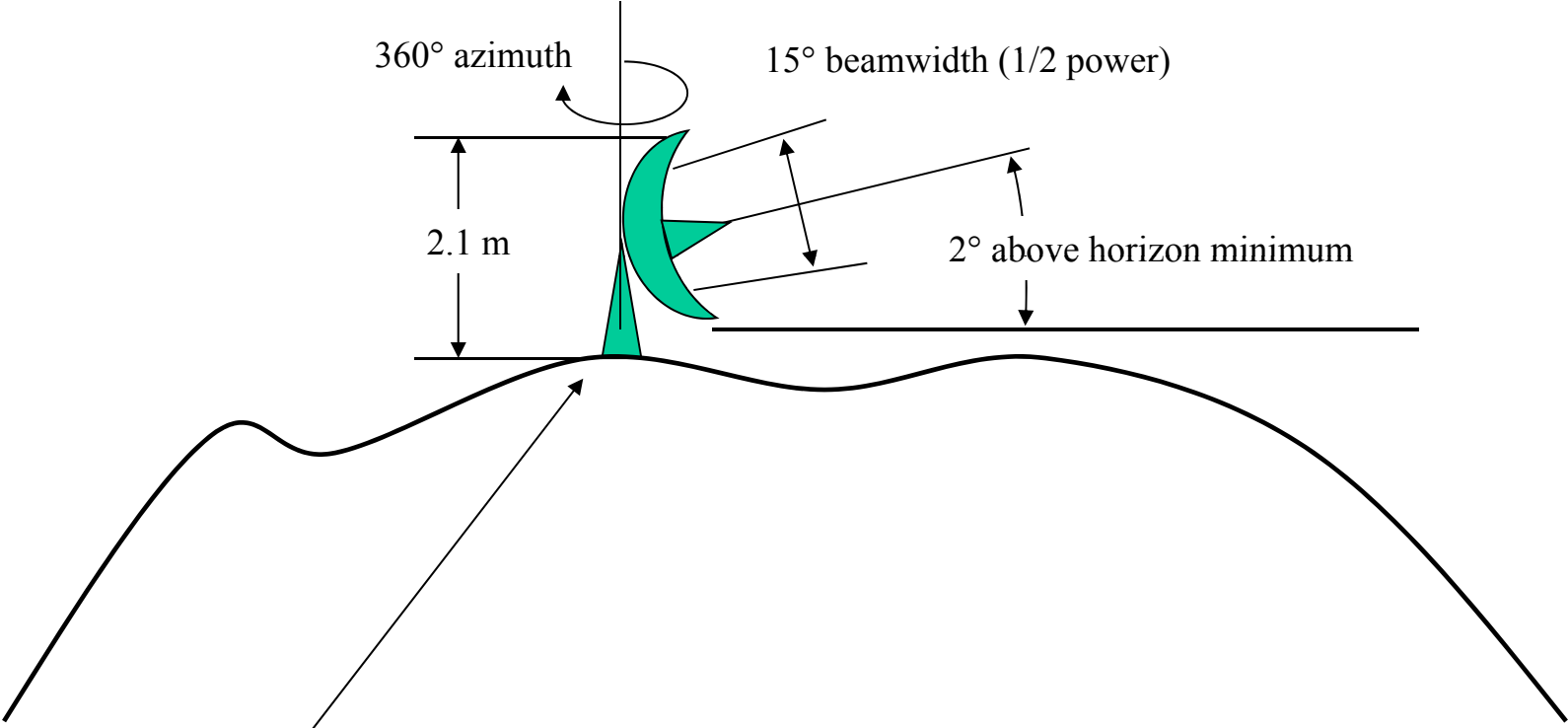


El Segundo antenna Beam Characteristics and FAA sketch



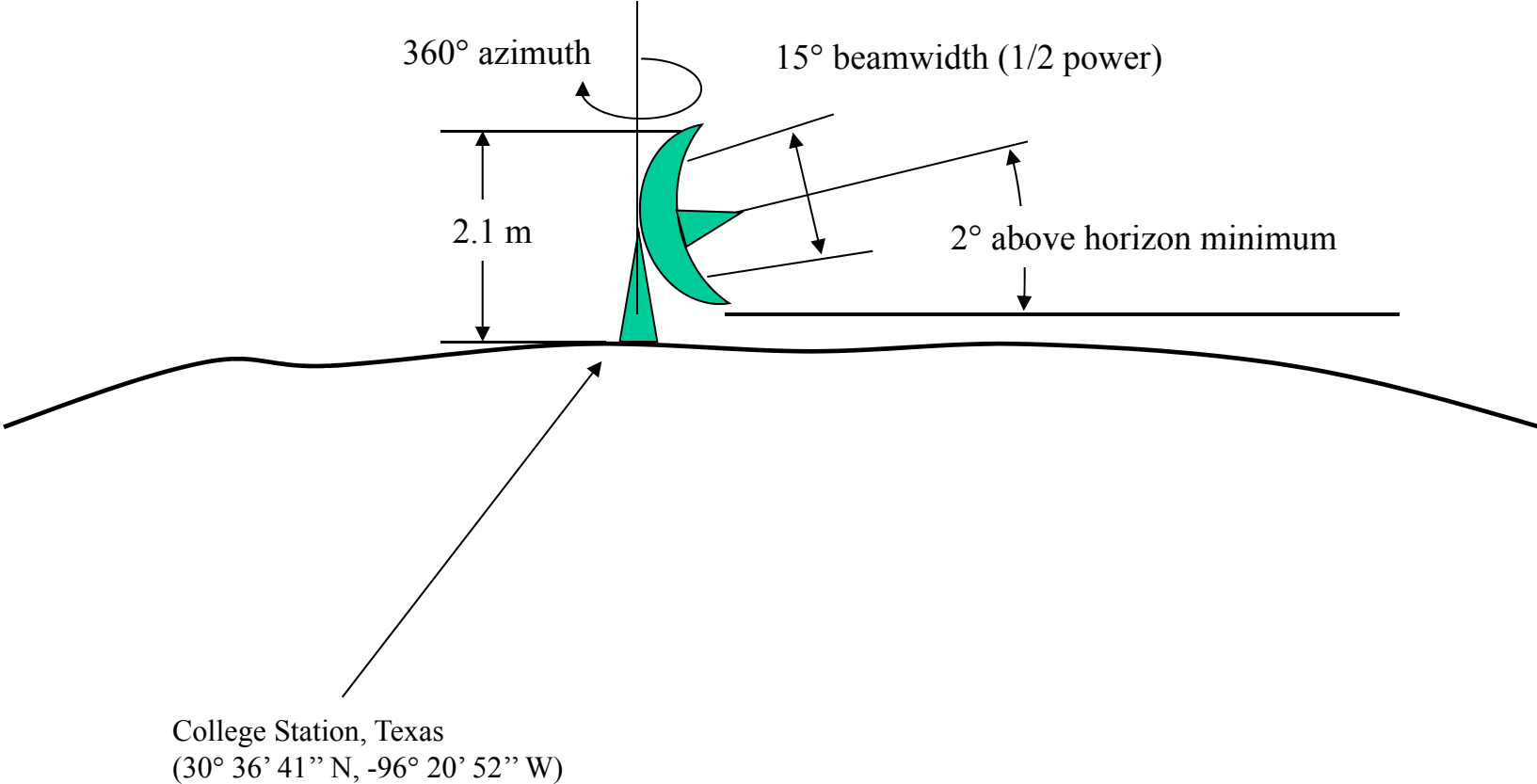
New Mexico antenna Beam Characteristics and FAA sketch



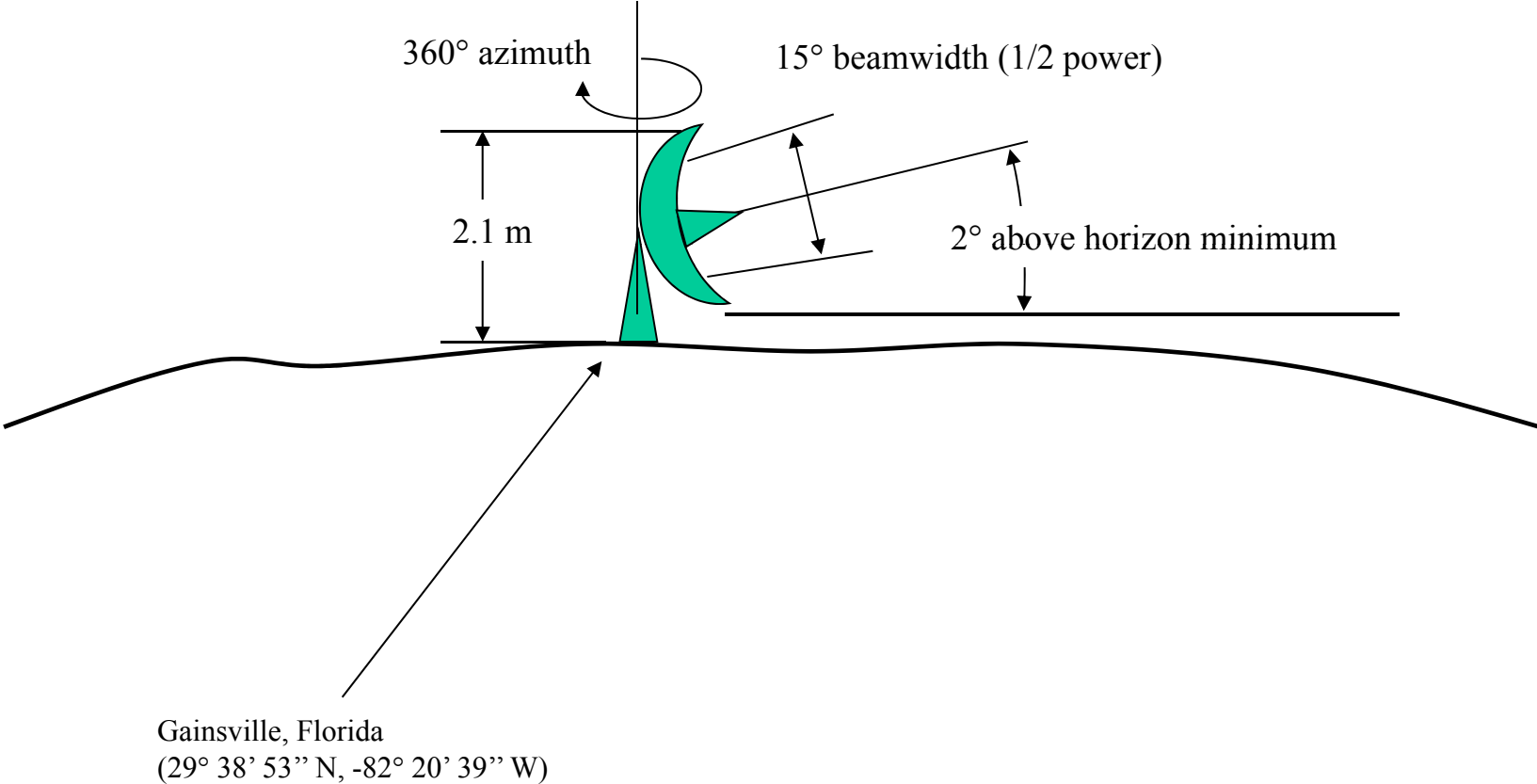
Dish is on North Oscura Peak, White Sands Missile Range, New Mexico (33° 45' 10" N, -106° 22' 21" W)

Texas A&M antenna

Beam Characteristics and FAA sketch



University of Florida antenna Beam Characteristics and FAA sketch



Cal Poly San Luis Obispo antenna Beam Characteristics and FAA sketch

