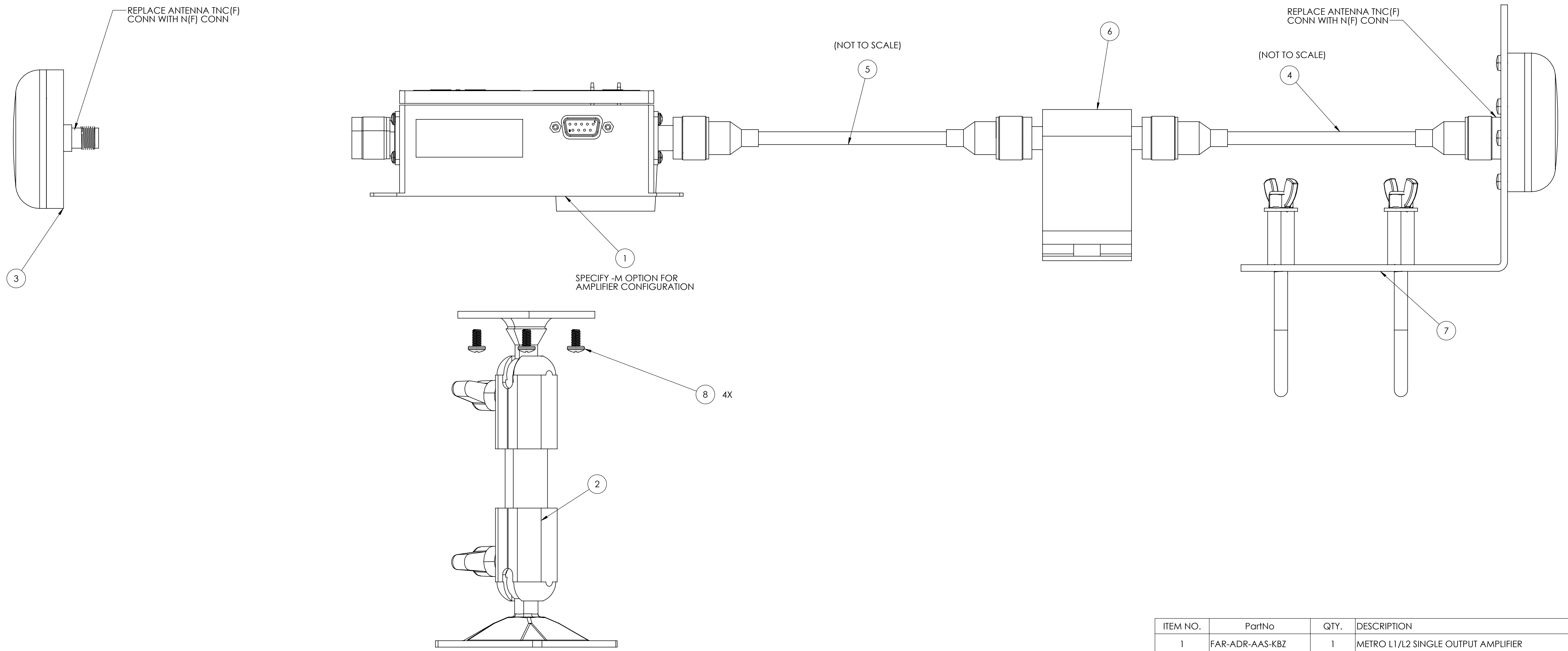


REVISIONS				
ZONE	REV.	DESCRIPTION	DATE	APPROVED
	001	PRODUCTION RELEASE	03-04-15	JDB



ITEM NO.	PartNo	QTY.	DESCRIPTION
1	FAR-ADR-AAS-KBZ	1	METRO L1/L2 SINGLE OUTPUT AMPLIFIER
2	MCH-MAA-AAA-ABZ	1	OTS MNT BRKT FXTR SLIMLINE PHONE MOUNT 6" RISE ADJUSTMENT
3	FAN-ACD-CYY-PYZ	1	FAN L1/L2 PASSIVE 2.6" ANTENNA MILITARY GRADE GPSS N(F)
4	FCA-AAX-BBF-1SZ	1	15 FT CA240 COAXIAL CABLE
5	FCA-AAP-BBX-100Z	1	100 FT CA240 COAXIAL CABLE
6	FSP-AAQ-AAX-AXZ	1	COPRO SURGE SUPPRESSOR
7	FAN-MAQ-XCX-RYZ	1	FAN L1/L2A ANTENNA GPSS W/POLE MOUNT ASSY
8	MCH-CAA-AAA-GRZ	4	SCREW, MCHN PPH S/S 8-32 X 5/16"



TOLERANCES UNLESS OTHERWISE SPECIFIED LINEAR .X = ±.1 .XX = ±.01 .XXX = ±.005 ANGULAR ±1° RADII SEE LINEAR		DRAWN J BROOKS CHECKED B MADRILL QA MFG APPROVED J DREILING	DATE 03-04-15 DATE 03-04-15 DATE DATE 03-04-15	THE INFORMATION CONTAINED IN THIS DESIGN SET IS THE SOLE PROPERTY OF GPS SOURCE. USE OF THIS DESIGN IS RESERVED EXCLUSIVELY FOR SAID COMPANY. REPRODUCTION OR DISTRIBUTION OF ANY PORTION OF DESIGN IS FORBIDDEN WITHOUT THE EXPRESS WRITTEN CONSENT OF GPS SOURCE. UNLESS OTHERWISE SPECIFIED COMPANY NAME GPS Source DESCRIPTION METRO-RK ("SMART" GPS REPEATER KIT) FILTERED L1/L2 (-F12) SIZE D 3RD ANGLE PROJECTION SCALE: 1:2 GPSS FILE NAME 030-FRK-ACC-AAS-KBZ MASS lb SHEET 1 of 1
---	--	---	---	---