

Model: PMX-S5410 Handset Antenna

Antenna description:

This wire monopole antenna is optimized and used in the Handset unit. This antenna is directly soldered to the ANT RF output in the main PCB.

Model Number	Description
PMX-S5410 Handset ANT	1.9GHz monopole antenna

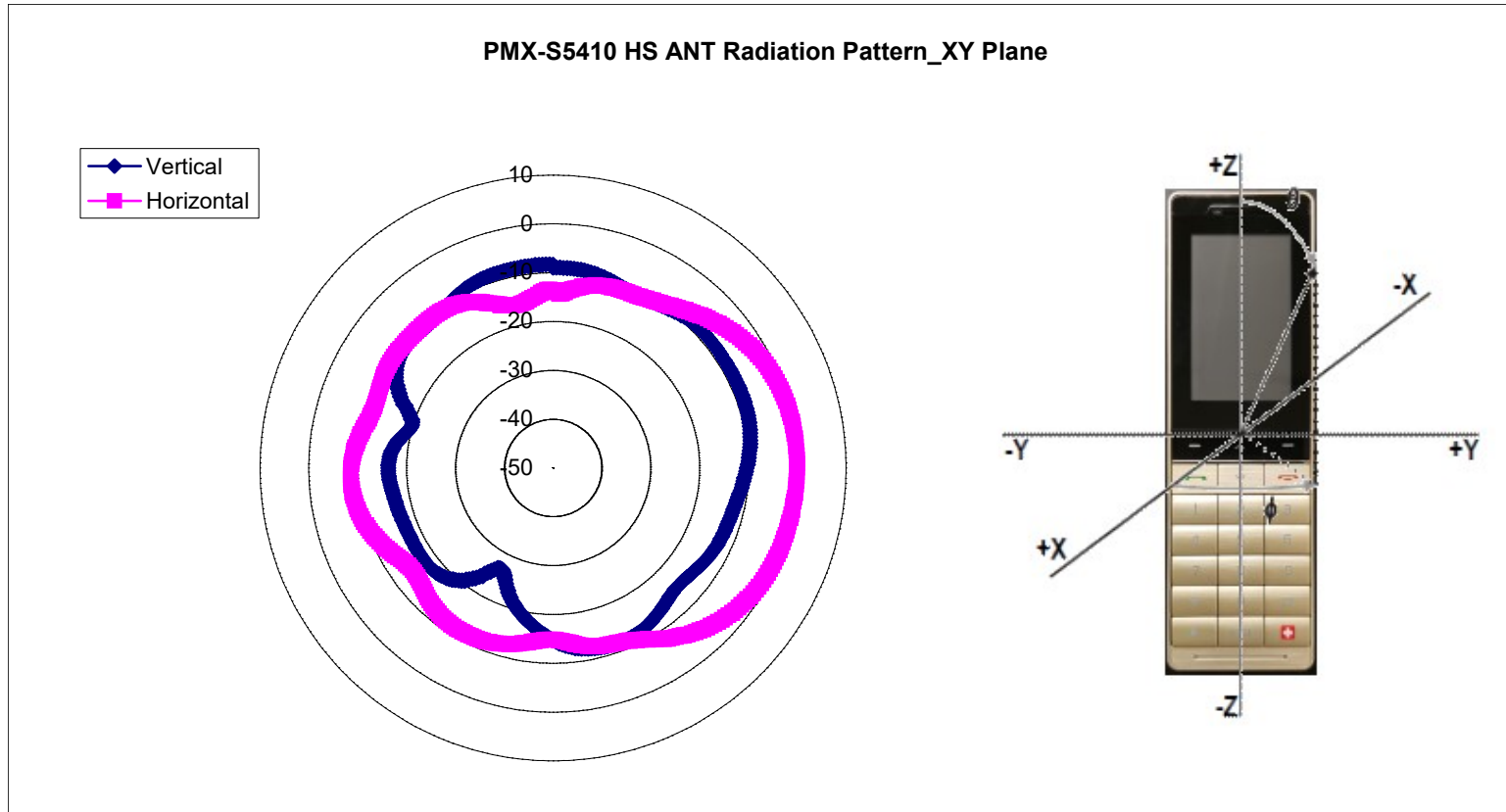
Specification:

Operation Frequency Range	1921.536 to 1928.448 MHz
Maximum Gain	0 dBi
Type	Monopole
Operation bandwidth	70MHz
Nominal Impedance	~50 ohms
Manufacturer	Vtech Telecommunications Ltd
Manufacturer address	23/F, Tai Ping Industrial Centre, Blk1, 57 Ting Kok Road, Tai Po, Hong Kong
Model number	ANT-PMX-S5410-P-DE-0

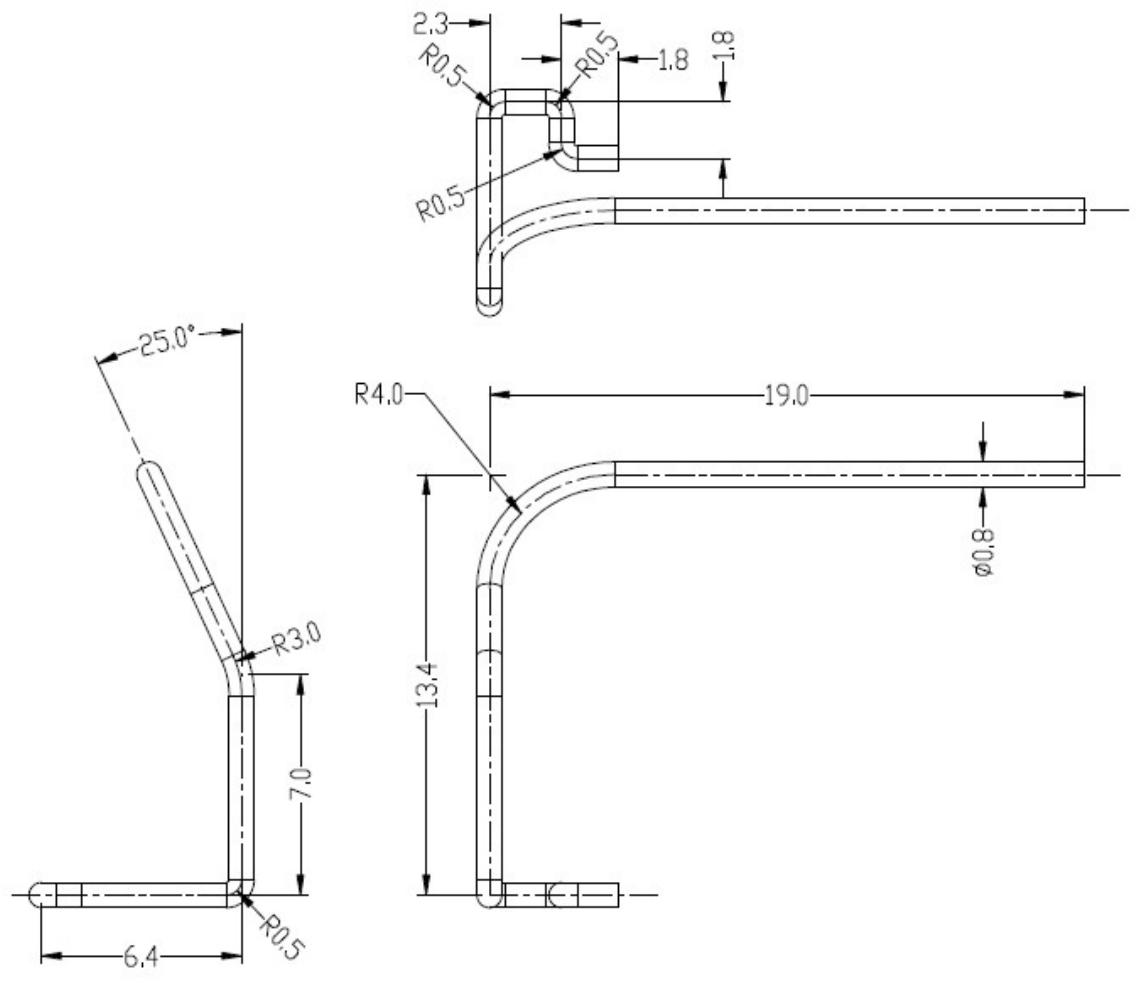
*NOTE: Frequency and Orientation with maximum Antenna Gain.

Frequency: 1924.992 MHz

	Vertical	Horizontal
Antenna Gain (dBi)	-2.98	0.00



PMX-S5410 Handset Antenna Dimensions in mm



Model: PMX-S5410 BS ANT_0**Antenna description:**

This PCB Monopole antenna is optimized and used in the Base unit. This antenna is directly soldered to the ANT_0 RF output in the main PCB.

Model Number	Description
PMX-S5410 Base ANT_0	1.9GHz Monopole

Specification:

Operation Frequency Range	1921.536 to 1928.448 MHz
Maximum Gain	0 dBi
Type	Monopole
Operation bandwidth	70MHz
Nominal Impedance	~50 ohms
Manufacturer	Vtech Telecommunications Ltd
Manufacturer address	23/F, Tai Ping Industrial Centre, Blk1, 57 Ting Kok Road, Tai Po, Hong Kong
Model number	ANT-PMX-S5410-F-DE-0

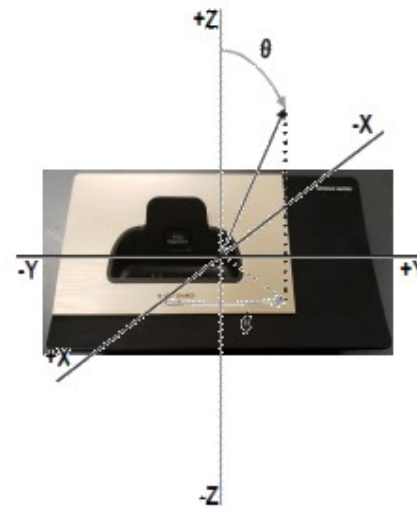
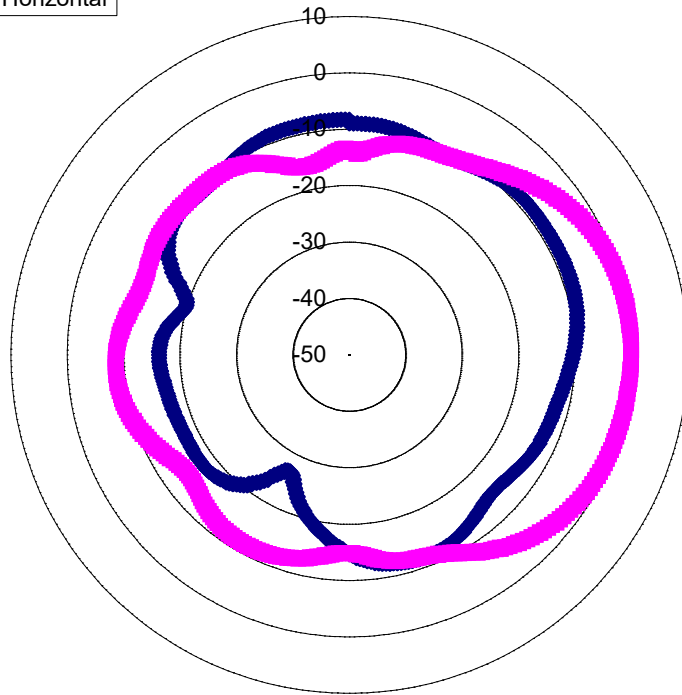
*NOTE: Frequency and Orientation with maximum Antenna Gain.

Frequency: 1924.992 MHz

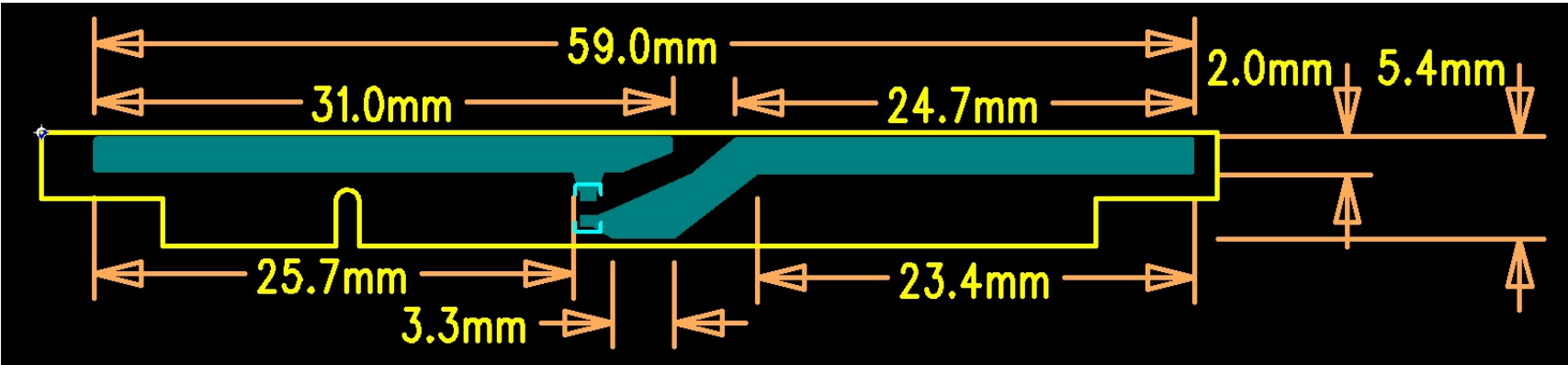
	Vertical	Horizontal
Antenna Gain (dBi)	-8.27	0.00

PMX-S5410 BS ANT0 Radiation Pattern_XY Plane

◆ Vertical
■ Horizontal



PMX-S5410 Base ANT_0 Dimensions in mm



Model: PMX-S5410 BS ANT_1**Antenna description:**

This PCB Monopole antenna is optimized and used in the Base unit. This antenna is directly soldered to the ANT_1 RF output in the main PCB.

Model Number	Description
PMX-S5410 Base ANT_1	1.9GHz Monopole

Specification:

Operation Frequency Range	1921.536 to 1928.448 MHz
Maximum Gain	0 dBi
Type	Monopole
Operation bandwidth	70MHz
Nominal Impedance	~50 ohms
Manufacturer	Vtech Telecommunications Ltd
Manufacturer address	23/F, Tai Ping Industrial Centre, Blk1, 57 Ting Kok Road, Tai Po, Hong Kong
Model number	ANT-PMX-S5410-F-DE-1

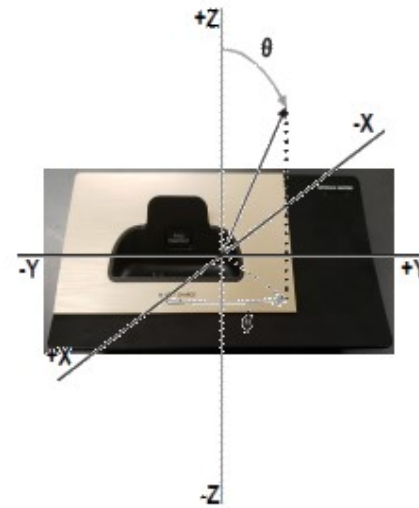
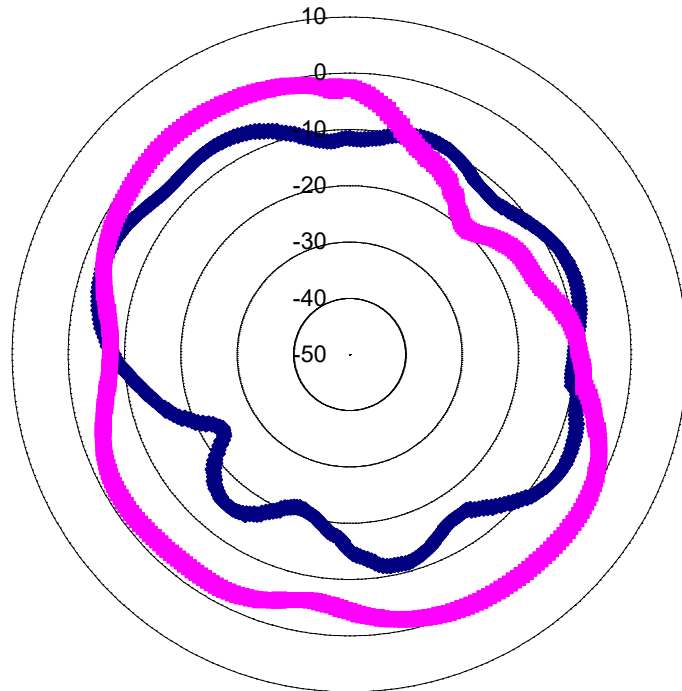
*NOTE: Frequency and Orientation with maximum Antenna Gain.

Frequency: 1924.992 MHz

	Vertical	Horizontal
Antenna Gain (dBi)	-3.42	0.00

PMX-S5410 BS ANT1 Radiation Pattern_XY Plane

◆ Vertical
■ Horizontal



PMX-S5410 Base ANT_1 Dimensions in mm

