

T01&B01&C01

User Manual

1.8m Extra wide &Thick Mobile Phone Tripod

Product Parameter

Basic Parameters of Phone Tripod

Weight:525g (1.16b)

Storage Size:42.2cm(16.61in)

Leg Size:35.8cm (14.09in)

Height Max:180cm(70.87in)

Number of Rod Sections:5

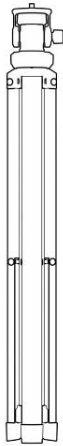
Weight of Force on Rod: $\geq 2\text{kg}$

Pole Inclination Deviation: $< 0.99\%$

Compatible devices:IOS 7.0+ / Android 4.3+

Bluetooth Version:10m(33ft)

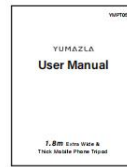
Product Showcase



Phone Ttripod



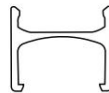
Wireless Remote Control



User Manual & Warranty Card



Phone Clip

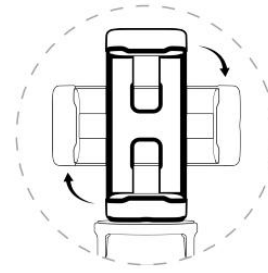


Remote Control Retainer



Adaptor Head

Function: Can be connected to other devices by means of 1/4 screws, the Adjustment of portrait and landscape shooting can be realized by rotating the side button.



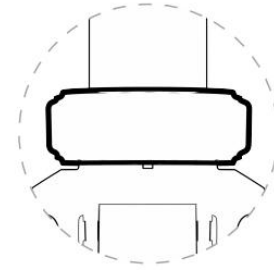
Phone Clip

The maximum compatible width of the mobile phone clip is 9cm, and with the adaptor head it can be used to hold a mobile phone in landscape or portrait orientation.



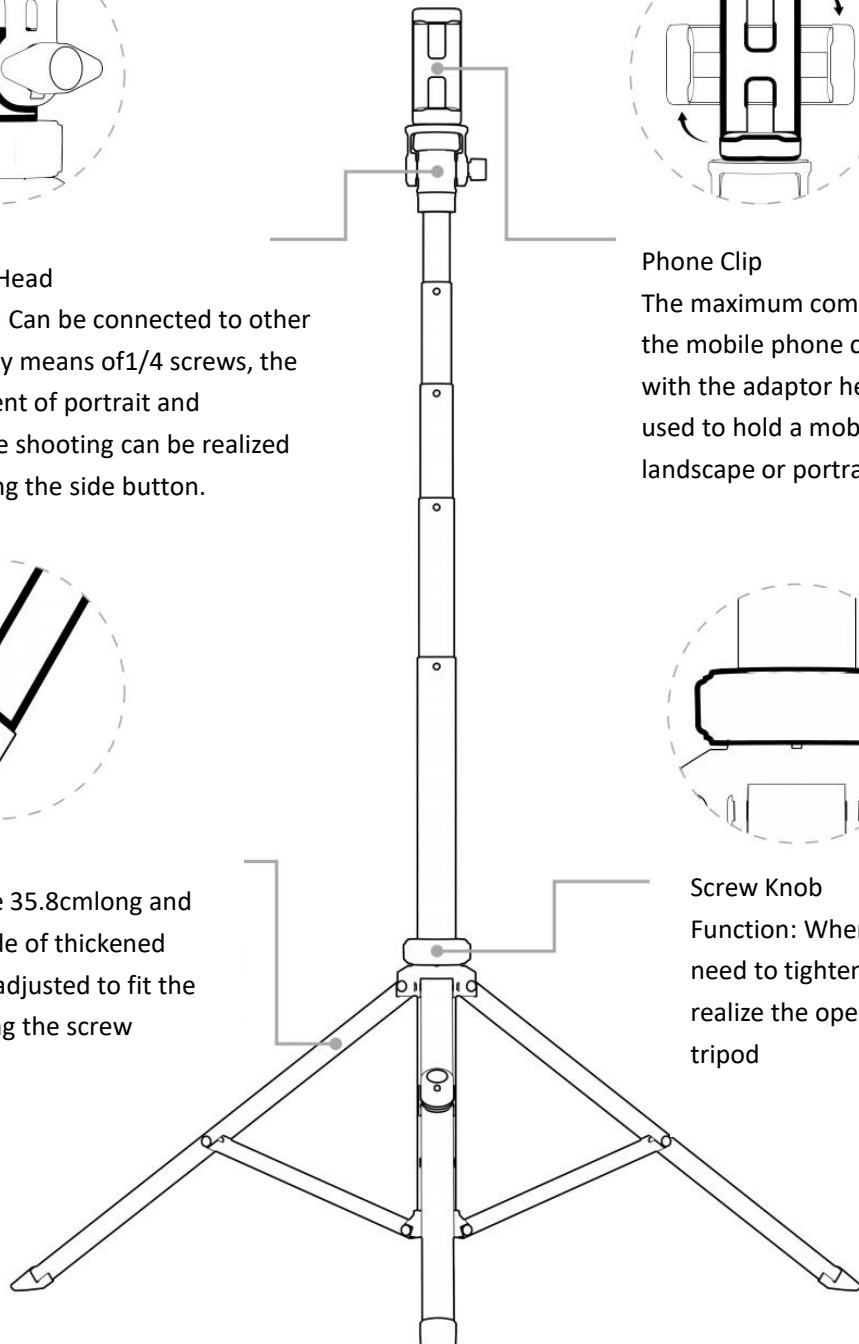
Tripod leg

The tripod legs are 35.8cm long and 2cm wide, it is made of thickened metal and can be adjusted to fit the footprint by turning the screw knobs.



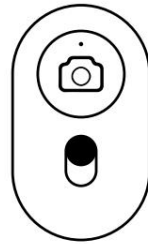
Screw Knob

Function: When using a tripod, you need to tighten & loosen it first to realize the opening or closing of the tripod



Wireless Remote Control

- ① Turn the remote on using switch, the blue LED light will flicker.
- ② To pair the remote to your Bluetooth device, on you sevice go to: setting>Bluetooth>Turn Bluetooth On.
- ③ When the remote is in pairing mode,connect to "Selfie' in the available device list, the Blue LED light will stop flickering when connecte



Attention:

When you are using our products, if the remote control has the following situations, you can try to take part of the suggested solutions to solve the problem or contact us directly.

1. Batteries are dead

Judgement basis: the remote control can not be turned on, long press the remote control button, the light does not blink.

Solution: you can change the battery to solve the problem, the battery model is CR2032, or get in touch with us.

2. Cannot connect the bluetooth

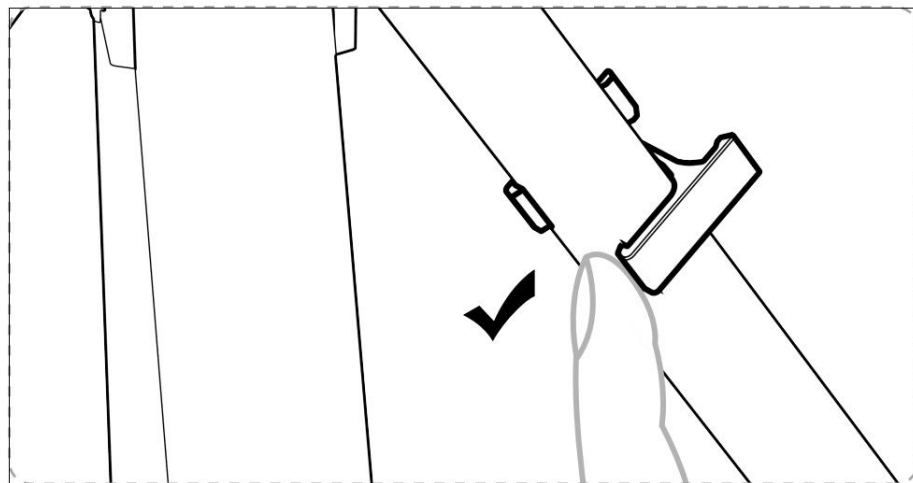
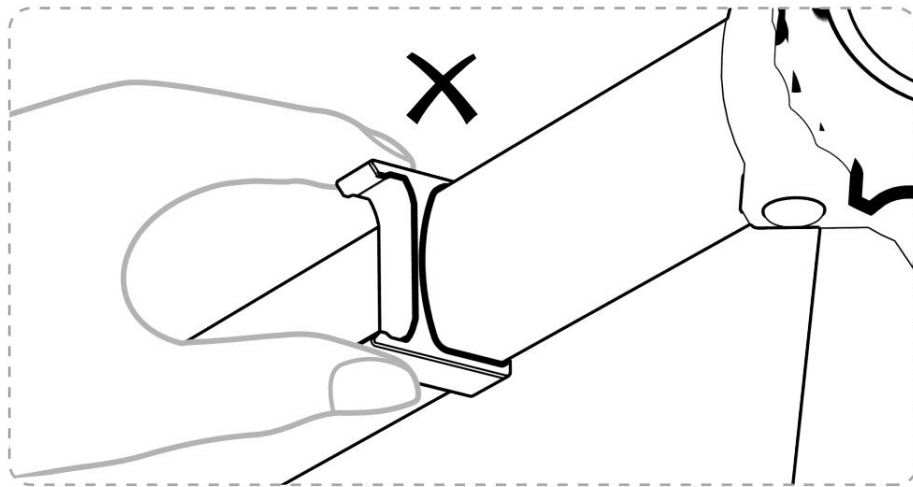
Judgement basis: Bluetooth name can be searched, but it shows that it can't be paired.

Solution: Because of the frequency of Bluetooth update speed, some mobile phones may not be paired successfully, you can get in touch with us, we come to help you solve it.

3. Cannot take photos after Bluetooth connection Judgement basis: After connecting, press the remote control, the phone shows the volume key, can not take pictures.

Solution: Please change the shutter in the camera settings to the volume button in your phone.

Remote Control Holder installation Procedure



Please pay attention to the use of the above picture and use it carefully to avoid any inconvenience to your subsequent use!

The Bluetooth remote control holder is a freebie for you

FCC Statement

This device complies with part 15 of the FCC Rules. Operation is subject to the following two conditions: (1) This device may not cause harmful interference, and (2) this device must accept any interference received, including interference that may cause undesired operation.

Any Changes or modifications not expressly approved by the party responsible for compliance could void the user's authority to operate the equipment.

Note: This equipment has been tested and found to comply with the limits for a Class B digital device, pursuant to part 15 of the FCC Rules. These limits are designed to provide reasonable protection against harmful interference in a residential installation. This equipment generates uses and can radiate radio frequency energy and, if not installed and used in accordance with the instructions, may cause harmful interference to radio communications. However, there is no guarantee that interference will not occur in a particular installation. If this equipment does cause harmful interference to radio or television reception, which can be determined by turning the equipment off and on, the user is encouraged to try to correct the interference by one or more of the following measures:

- Reorient or relocate the receiving antenna.
- Increase the separation between the equipment and receiver.
- Connect the equipment into an outlet on a circuit different from that to which the receiver is connected.
- Consult the dealer or an experienced radio/TV technician for help.

The device has been evaluated to meet general RF exposure requirement. The device can be used in portable exposure condition without restriction.

Manufacture :

Guangdong Jisheng Technology Co., LTD

Room 201, Building 1, No.29, Lanhedi Road, Houjie Town, Dongguan City, Guangdong Province

Designed by YUMAZLA

Made in China



Sea&Mew Accounting Ltd Electric Avenue Vision 25,London,
Enfield EN3 7GD



Sea&Mew Consulting GmbH Mittenhuber StraBe 492318
Neumarkt

