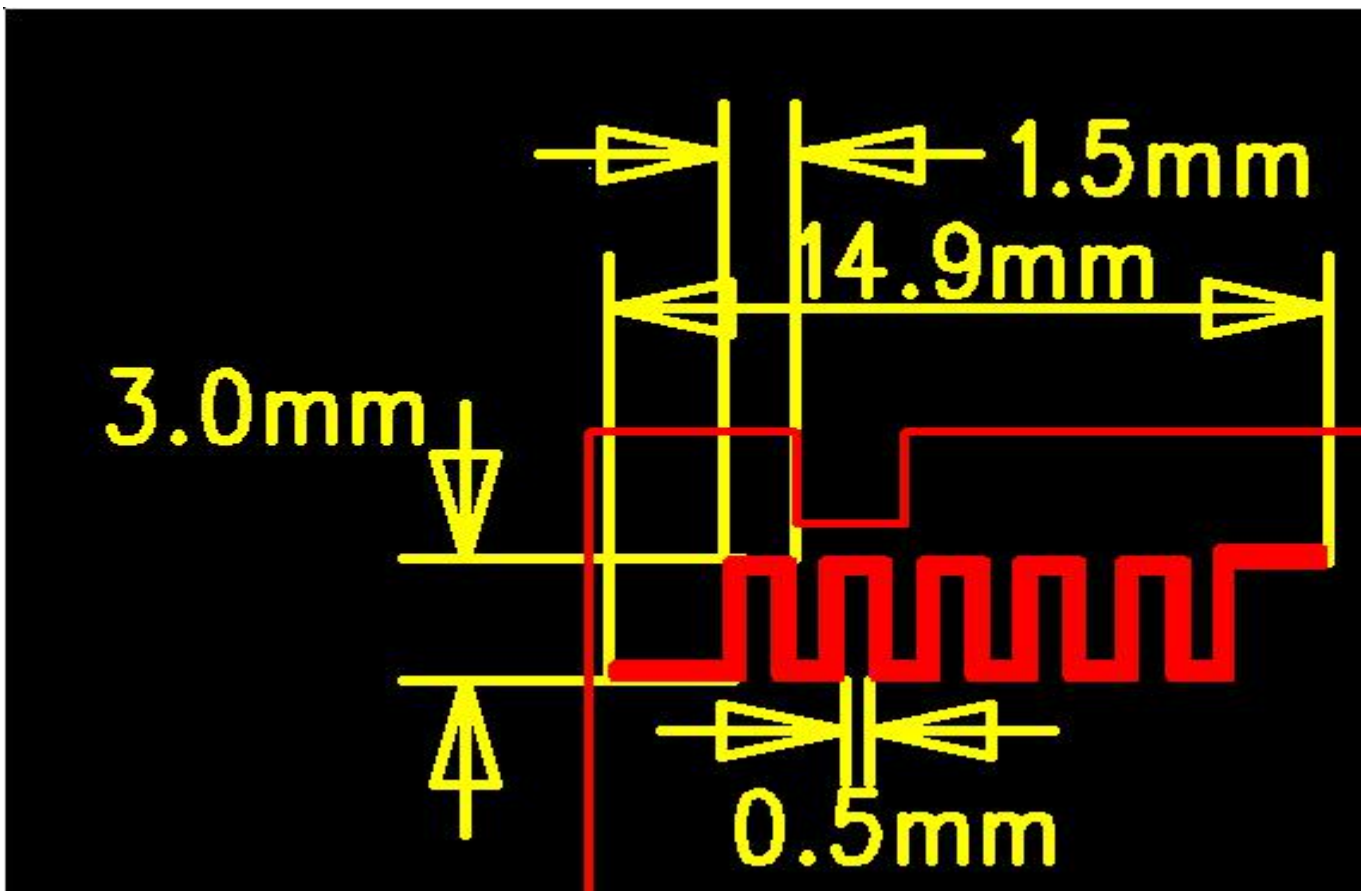


SHENZHEN DAKAI INDUSTRIAL DEVELOPMENT CO., LTD.

Specifications:

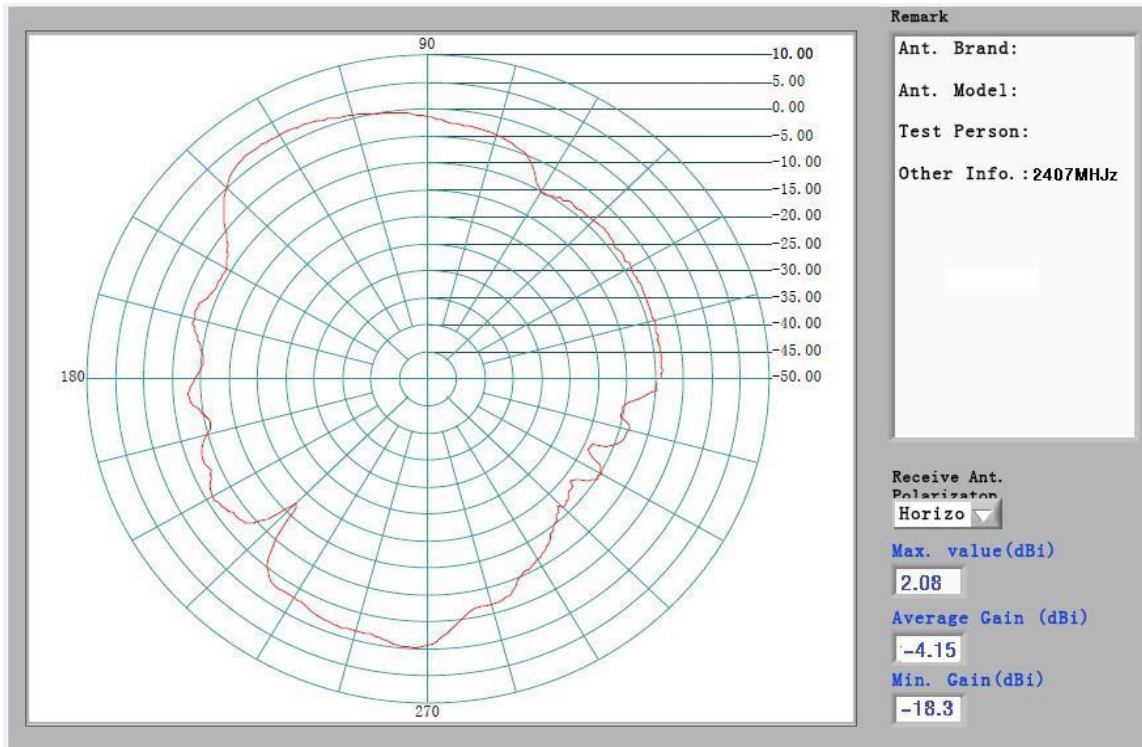
ITEM	SPEC	
Model Name Center Frequency	2407MHz	2.08dBi
	2443MHz	1.83dBi
	2477MHz	1.15dBi
MAX.GAIN	2.08dBi	
Polarization	Horizontal	
Azimuth Beam Pattern	0mmi-directional	
Impedance	50 Ω	
Antenna Length	9.2mm	

Antenna Photo & Length

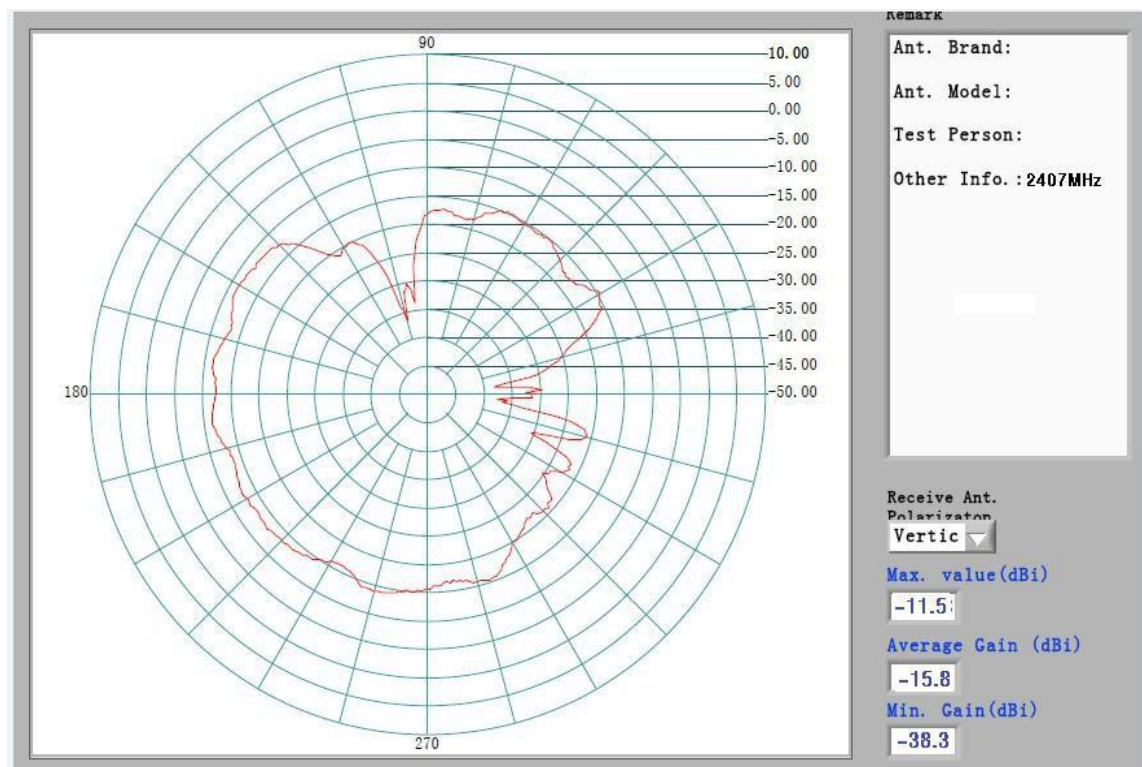


1. Main antenna: 2407MHz

1.1 Horizontal

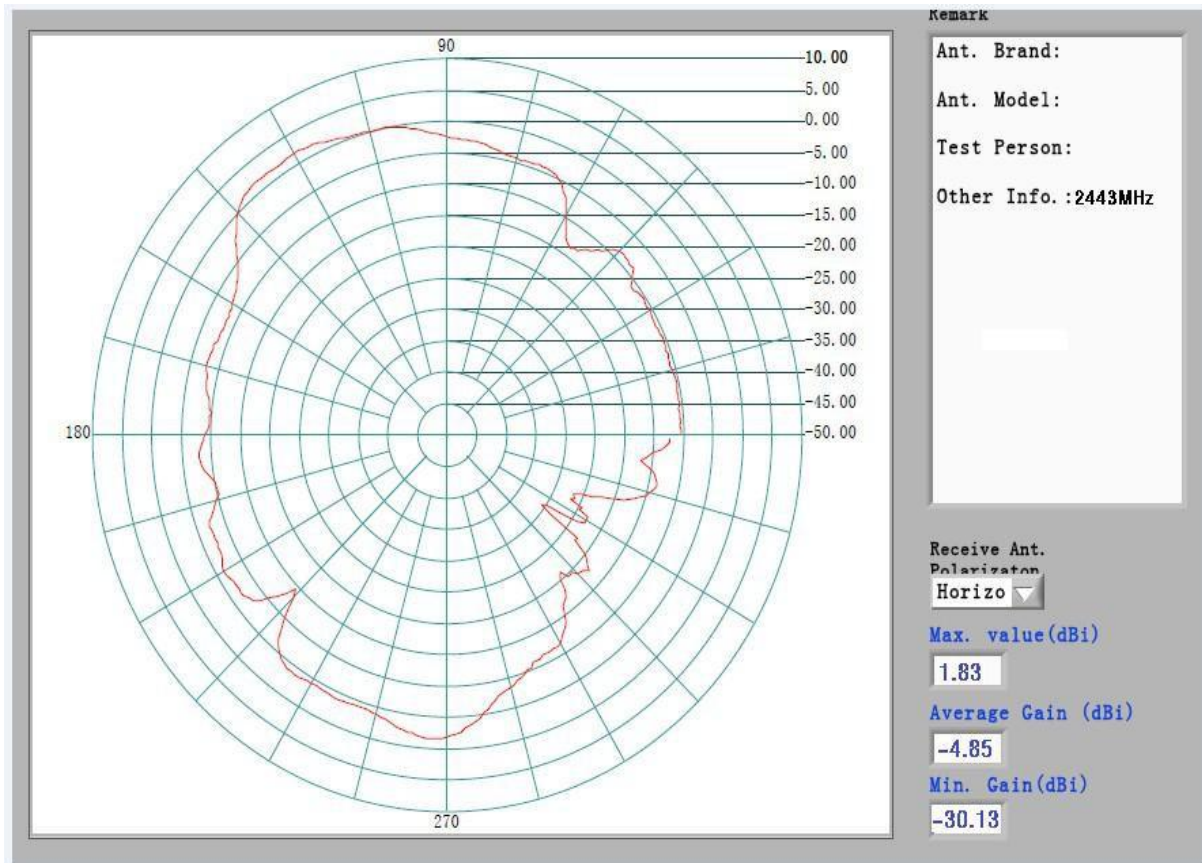


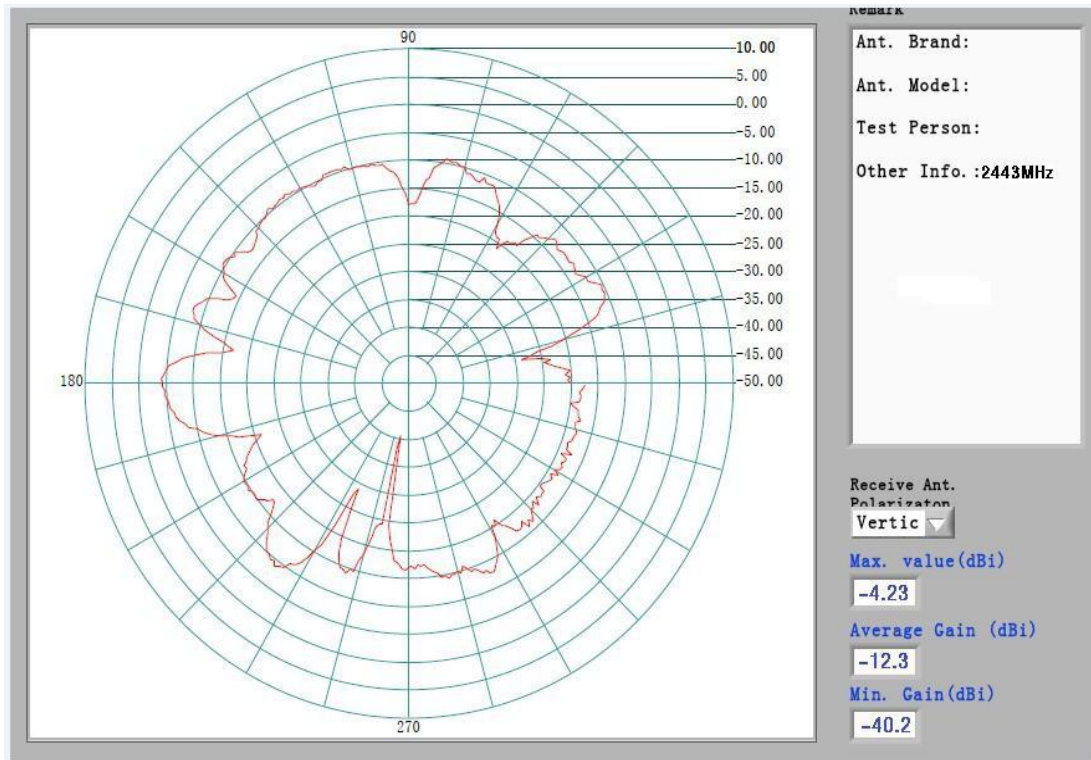
1.2 Vertical



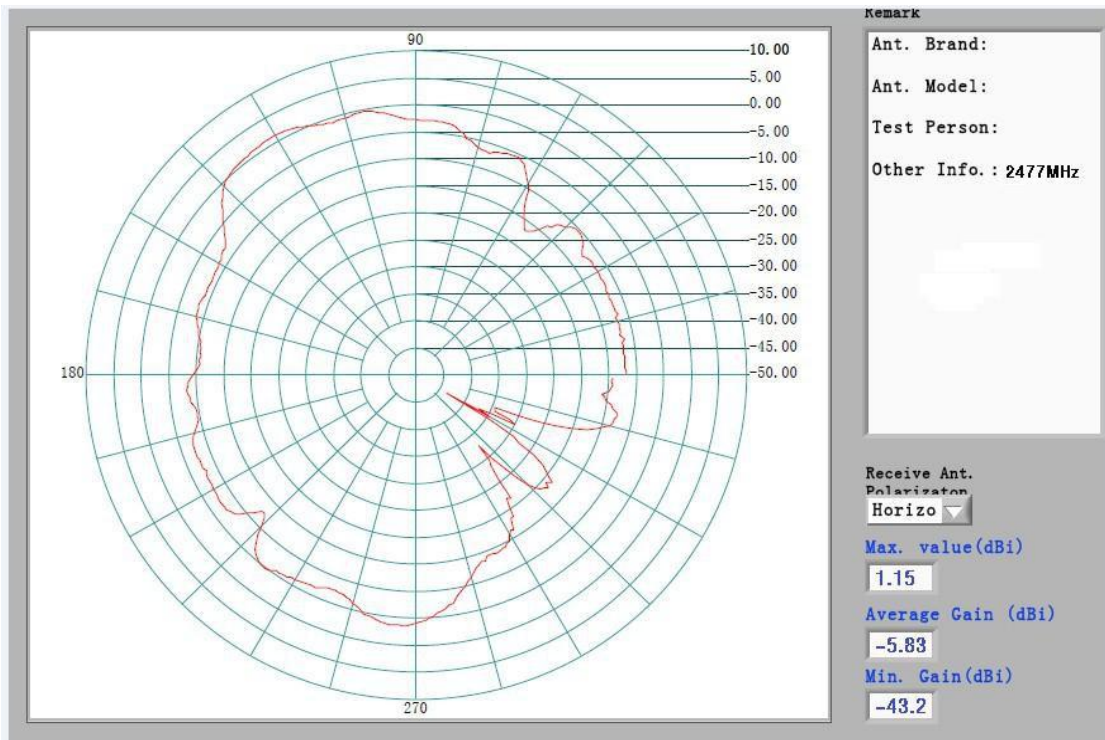
2. Main antenna: 2443MHz

2.1 Horizontal

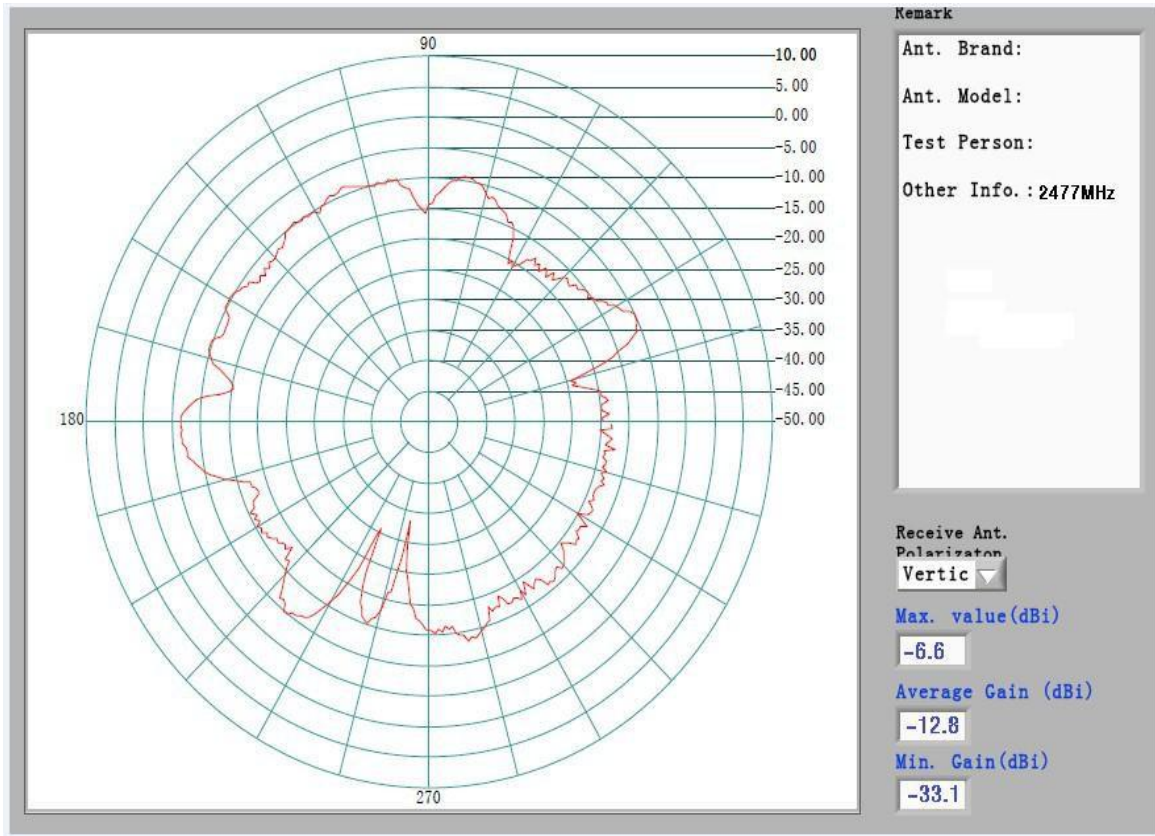




3. Main antenna: 2477MHz
 3.1 Horizontal



3.2 Vertical



4. Result

Center Frequency		Maximum Ant Gain
2407MHz	H	2.08dBi
	V	-11.5dBi
2443MHz	H	1.83dBi
	V	-4.23dBi
3477MHz	H	1.15dBi
	V	-6.6dBi