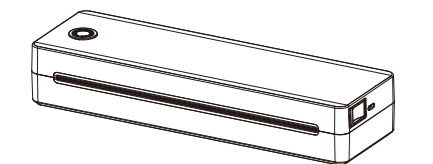




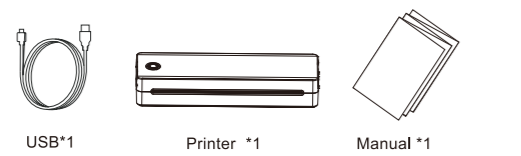
# D210 THERMAL PRINTER USER'S MANUAL



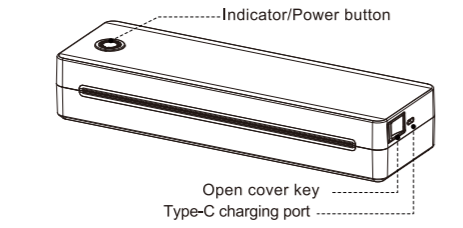
## Product information

Product name	Thermal printer
Product model	D210
Net product weight	635g
Product size	262*80.7*46.8mm
Print mode	Temperature-sensitive
Input voltage	DC 5V/2A
Battery capacity	2600mAh
Automatic shutdown	30min
Stand-by time	≈ 30 days
Charging time	≈ 1.50H
Continuous printing	A4 thermal paper 90 sheets
Paper width	210mm
Charging interface	Type-C

## Packing list

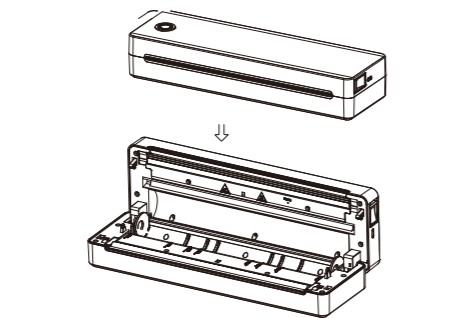


## Appearance introduction



## Opening Mode

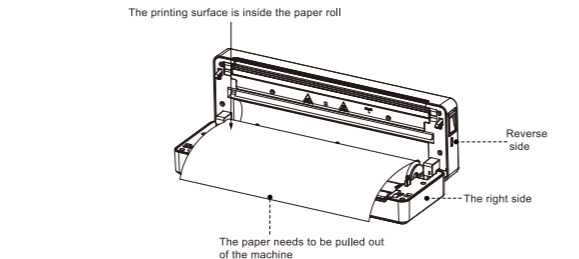
Pull the open cover button simultaneously on both sides of the machine to open the machine.



## Loading mode

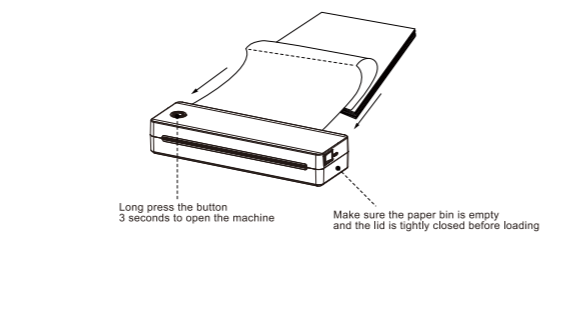
### Roll paper loading method

Press the cover opening button to open the paper bin and put the paper into the bin according to the figure. Pay attention to the front and back sides of the paper.



### Folding paper loading method

1. Place the paper face up and parallel to the machine to prevent the printing from paper skew and paper jam;  
2. Align to the paper inlet and insert it until the paper is sucked and cannot be removed or inserted.

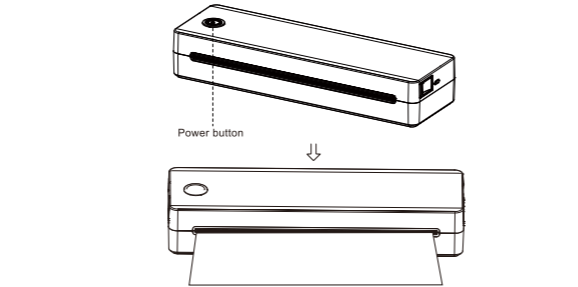


## Paper bin card paper limiter installation

Press the open cover button to open the paper bin, and adjust the position of the limiter according to different consumable widths (2", 3", 4", 8")

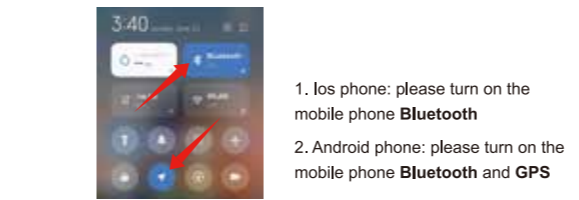
## Process

1. Long press the power button for 3 seconds to start for the first time and double-click the power button to print.



## Connect device

Please Long press the **power** button until the blue light flashes and enter the " **Marklife** " App, turn on the Bluetooth of the mobile phone

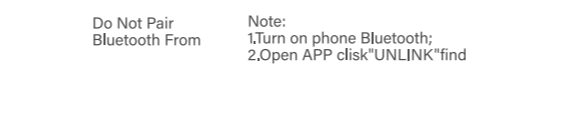


1. ios phone: please turn on the mobile phone **Bluetooth**
2. Android phone: please turn on the mobile phone **Bluetooth** and **GPS**

## App Download and settings

### Download

1. Search the App Store/Google Play for "Marklife" download
2. Scan the corresponding QR code to download



## Download Driver

Note: Before installing the driver, turn off your computer antivirus software.the printer needs to be connected to the power supply and computer, and the power on state.

1.USB inserted into the computer, will automatically pop up the folder, double-click the compressed package to download.



NOTE: Before selecting USB, please make sure that the power supply of the machine is connected and the machine is turned on.

## Power button

- long press power button for 3s to turn on or off, When the indicator light is on,it is on,and when the indicator light is off, it is off
- Double-click the power button to spit out the device information slip and two-dimensional code to check the device status

## Indicating Light

- White light is always on:the printer is idle and not connected to Bluetooth
- Blue light steady on:The Bluetooth connection is successful
- Blue light flashes quickly :Bluetooth connection is successful and data is being transferred or printed
- Red light steady on :The battery is low
- Red light flashes quickly :The device status is abnormal (lack of paper/overheat/open cover)
- Yellow light flashing quickly:The data is canceling
- Green light is always on:fully charged (when the device is switched off)

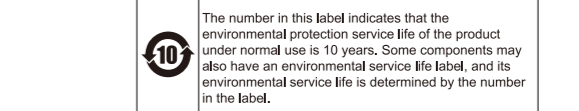
## Safety and precautions

- ① The printer built-in lithium battery, please do not use it in the environment with temperature higher than 40 °C; keep away from fire and other heat sources, and do not place it in the hot sun, such as closed car;
- ② Children should be charged and used under the supervision of adults. After full charge, please make sure to pull out the charging line in time to prevent overheating, short circuit or fire;
- ③ Do not put the product in fire or water to avoid battery short circuit or fire or burn;
- ④ The operating temperature range is 0 °C to 40 °C, please do not exceed the recommended temperature range;
- ⑤ If you suspect that there is a problem with the battery, please contact the after-sales service center for assistance.

## Description of hazardous substances in products

Part name	Harmful substance					
	lead (Pb)	mercury (Hg)	cadmium (Cd)	Hexavalent chromium (Cr(VI))	Polybrominated biphenyls (PBB)	Polybrominated diphenyl ethers (PBDE)
Circuit board	×	○	○	○	○	○
Shell	○	○	○	○	○	○
Screw	○	○	○	○	○	○
Packaging material	○	○	○	○	○	○

This form is prepared in accordance with the provisions of SJ/T11364-2014.  
○: Indicates that the content of the hazardous substance in all homogeneous materials of the part is below the limit requirements specified in GB/T26572-2011.  
×: Indicates that the content of the hazardous substance in at least one homogeneous material of the part exceeds the limit requirements specified in GB/T 26572-2011, and there is currently no mature alternative in the industry to meet the environmental requirements of the EU RoHS Directive.



Instructions:  
Circuit board: Lead in ceramic or glass of electronic components on boards/circuit modules.

## Warn

- This product is equipped with batteries, do not use in an environment with a temperature higher than 40°C, do not use it close to open fire and other heat sources, do not place in hot sunlight, such as unmanned closed cars;
- Do not disassemble, impinge, puncture or modify the battery, and do not use the battery for other purposes
- Do not handle in fire or water to avoid fire or burn caused by short circuit of battery;
- Operating temperature range is 0°C to 40°C, please do not operate outside the recommended temperature range;
- Used batteries should be recycled or disposed of in accordance with local regulations and product instructions
- If you suspect a battery problem, contact an after-sale service center for help.

## Look out

- Replacing the battery with the wrong model may cause explosion. Dispose of the used battery according to the instructions
- ⚠️ 70°C ⚠️ Note the maximum temperature of the print head is 70 C , please be careful not to touch it, children must use it under adult supervision:
- ⚠️ ⚠️ Note that the tearing blade is sharp,be careful not to touch.

## **FCC Caution**

This device complies with part 15 of the FCC Rules. Operation is subject to the following two conditions:

- (1) This device may not cause harmful interference, and
- (2) this device must accept any interference received, including interference that may cause undesired operation.

Any Changes or modifications not expressly approved by the party responsible for compliance could void the user's authority to operate the equipment.

Note: This equipment has been tested and found to comply with the limits for a Class B digital device, pursuant to part 15 of the FCC Rules. These limits are designed to provide reasonable protection against harmful interference in a residential installation. This equipment generates uses and can radiate radio frequency energy and, if not installed and used in accordance with the instructions, may cause harmful interference to radio communications. However, there is no guarantee that interference will not occur in a particular installation. If this equipment does cause harmful interference to radio or television reception, which can be determined by turning the equipment off and on, the user is encouraged to try to correct the interference by one or more of the following measures:

- Reorient or relocate the receiving antenna.
- Increase the separation between the equipment and receiver.
- Connect the equipment into an outlet on a circuit different from that to which the receiver is connected.
- Consult the dealer or an experienced radio/TV technician for help.

The device has been evaluated to meet general RF exposure requirement. The device can be used in portable exposure condition without restriction.