



Dongguan YiJia Electronics Communication Technology Co.,Ltd.

SPECIFICATION FOR APPROVAL

Date 2023/12/19
File No 23121901
Revision 1.0

CUSTOMER: Guise Sensmart

CUSTOMER NO: ZG36


PART NAME: WIFI Antenna L=80mm MHF

SUPPLIER NO: YJT01.220.026.301A

Date:

Q “TY:

| CUSTOMER APPROVED BY | | |
|----------------------|-------|------------|
| APPROVAL | CHIEF | SUPERVISOR |
| | | |

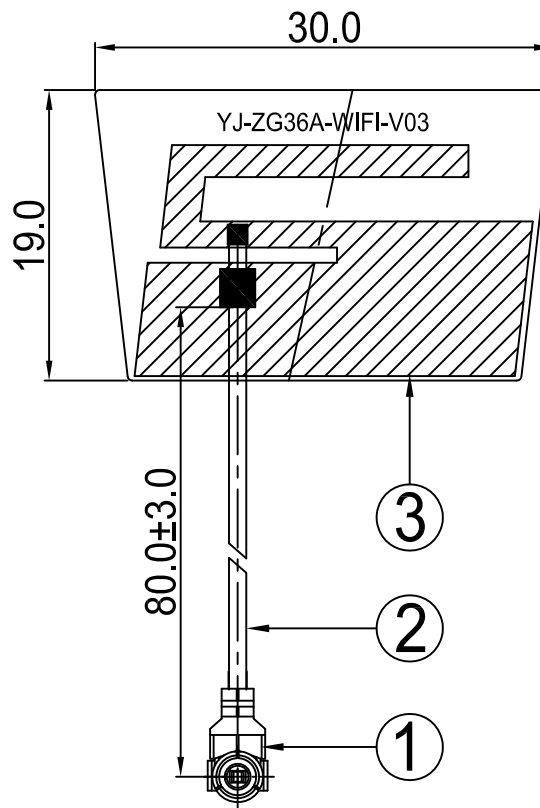
| SUPPLIER SIGNATURE | | |
|-----------------------------------------------------------------------------------------------------|-------|------------|
| APPROVAL | CHECK | DESIGN |
|  ChenGuoqiang | XieLi | ChenXingyi |

YJ-RD-F04-A

RoHS
Compatible

| | |
|----------|--|
| CUSTOMER | |
| PART NO | |

| | | |
|------|-------------|------------|
| REV. | DESCRIPTION | DATE |
| △ | | 2023-12-15 |
| | | |



Dongguan YiJia Electronics Communication Technology Co.,Ltd. Tel :0769-82586086 Fax:0769-82586086

| | | | |
|------------------------------------|------------|------------------|---------------------------------------------------|
| PART NAME: WIFI Antenna L=80mm MHF | | | |
| PART NO.: YJT01.220.026.301A | | DATE: 2023-12-15 | |
| APPROVED BY | CHECKED BY | DESIGNED BY | Tolerance X.X ±0.50 X.XX±0.15 X° ±3° |
| | | | |
| | | | |
| | | | UNITS: mm SCALE: 1/1 REVISION: A |

| | | | | | |
|----|----------------|----------------|----------|---------------|------|
| 3 | FPC | 30.0*19.0mm | FPC | FPC11XXXA.P01 | 1 |
| 2 | Coaxial Cable | O.D.1.13 Black | O.D.1.13 | COA100XXA.P01 | 1 |
| 1 | Mini Connector | Au Plated 1 | Cu | TER100XXA.P01 | 1 |
| NO | PART NAME | DESCRIPTION | Material | Part Number | Q.TY |



Antenna Specification

| Electrical Properties | |
|------------------------------|-----------------------|
| Frequency | 2.4-2.5GHz |
| Impedance | 50 Ohm Nominal |
| V.S.W.R | 2.5 Max |
| Gain | 2.1 dBi |
| Radiation | Omni-directional |
| Polarization | Linear |
| Physical Properties | |
| Connector | First generation IPEX |
| Cable Type | O.D.1.13mm |
| Cable Length | 80mm |
| Cable Color | Black |
| Operating Temp. | -40 ~ +85 °C |
| Storage Temp / Humidity | 25 ± 5°C / <70% |



Passive Test For WiFi Antenna(2.4G)

| Freq (MHz) | Effi (%) | Effi (dB) | Gain (dBi) |
|------------|----------|-----------|------------|
| 2400 | 34.4 | -4.6 | 0.6 |
| 2410 | 35.8 | -4.5 | 0.8 |
| 2420 | 35.1 | -4.6 | 0.8 |
| 2430 | 34.6 | -4.6 | 0.9 |
| 2440 | 36.1 | -4.4 | 1.1 |
| 2450 | 37.8 | -4.2 | 1.5 |
| 2460 | 37.6 | -4.3 | 1.6 |
| 2470 | 39.0 | -4.1 | 2.0 |
| 2480 | 39.0 | -4.1 | 2.1 |
| 2490 | 38.9 | -4.1 | 2.0 |
| 2500 | 36.5 | -4.4 | 1.7 |



Radiation Pattern For WiFi Antenna(2450MHz)

