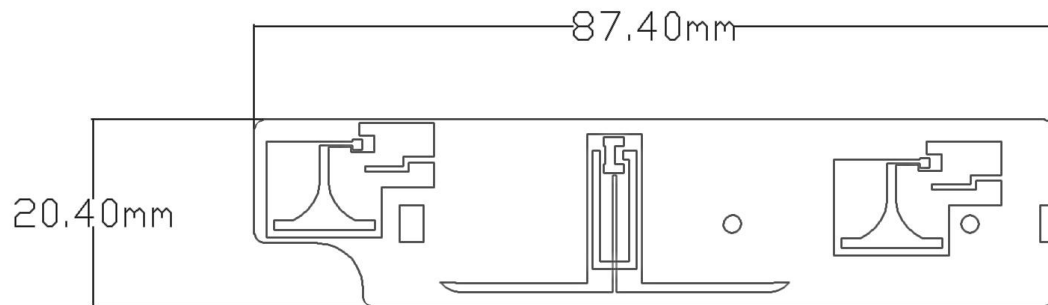
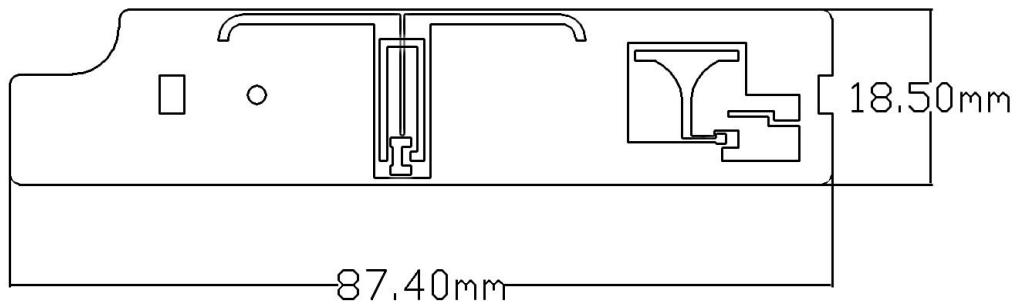


WiFi Antenna Specification

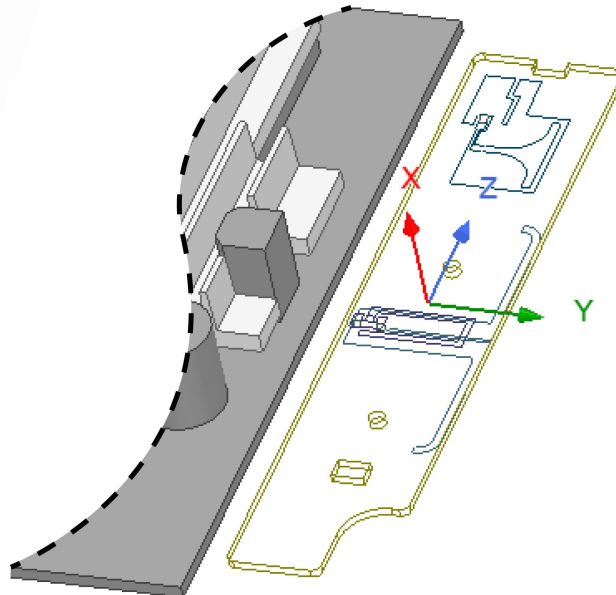
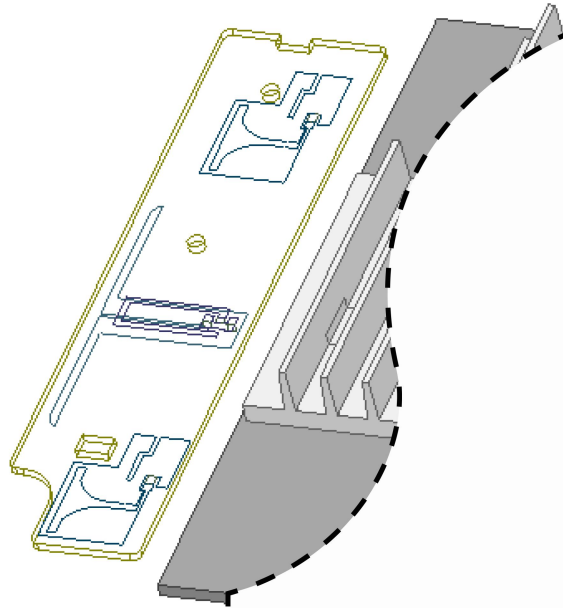
Summary

ITEM	ANT SPEC
Model Name	2.4GHz/5GHz ANT
Gain(dBi)	2.4GHz ANT 1: 5.3dBi、ANT 2: 5.4dBi 5.1GHz ANT 1: 5.6dBi、ANT 2: 4.9dBi、ANT 3: 6.0dBi 5.8GHz ANT 1: 5.5dBi、ANT 2: 5.7dBi、ANT 3: 6.6dBi
Poarization	Vertical
Beam Pattern	Directional
Impedance	50ohm
Manufacture	LINKETECH (HENGQIN) CO., LTD

Antenna Photo& Length (mm)



Placement and orientation



2D Radition Pattern

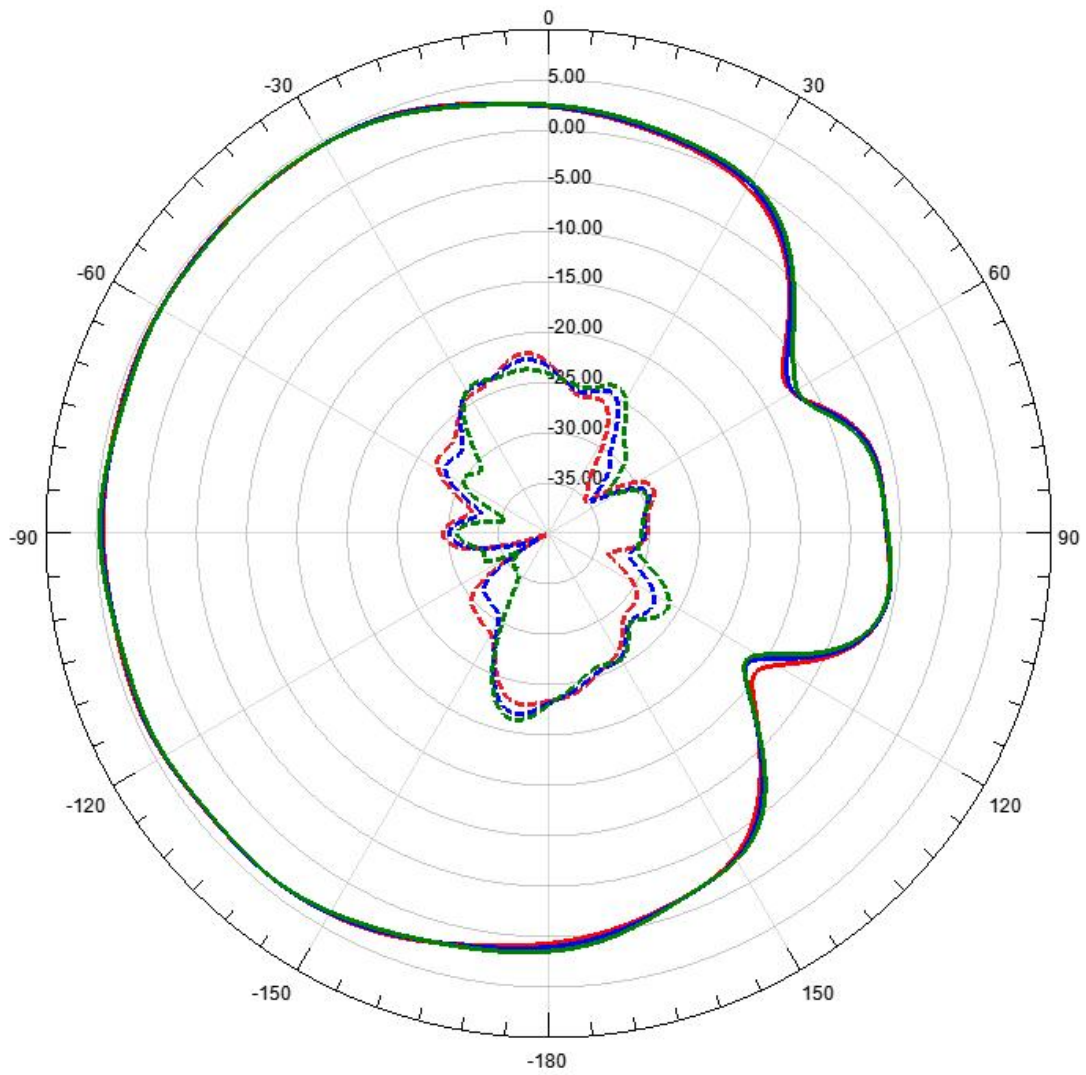
2400MHz 2450MHz 2500MHz

Gain(dB):Theta=90°,Phi=all

Min:-40 Max:10 Scale:5/div

— GainTheta

----- GainPhi



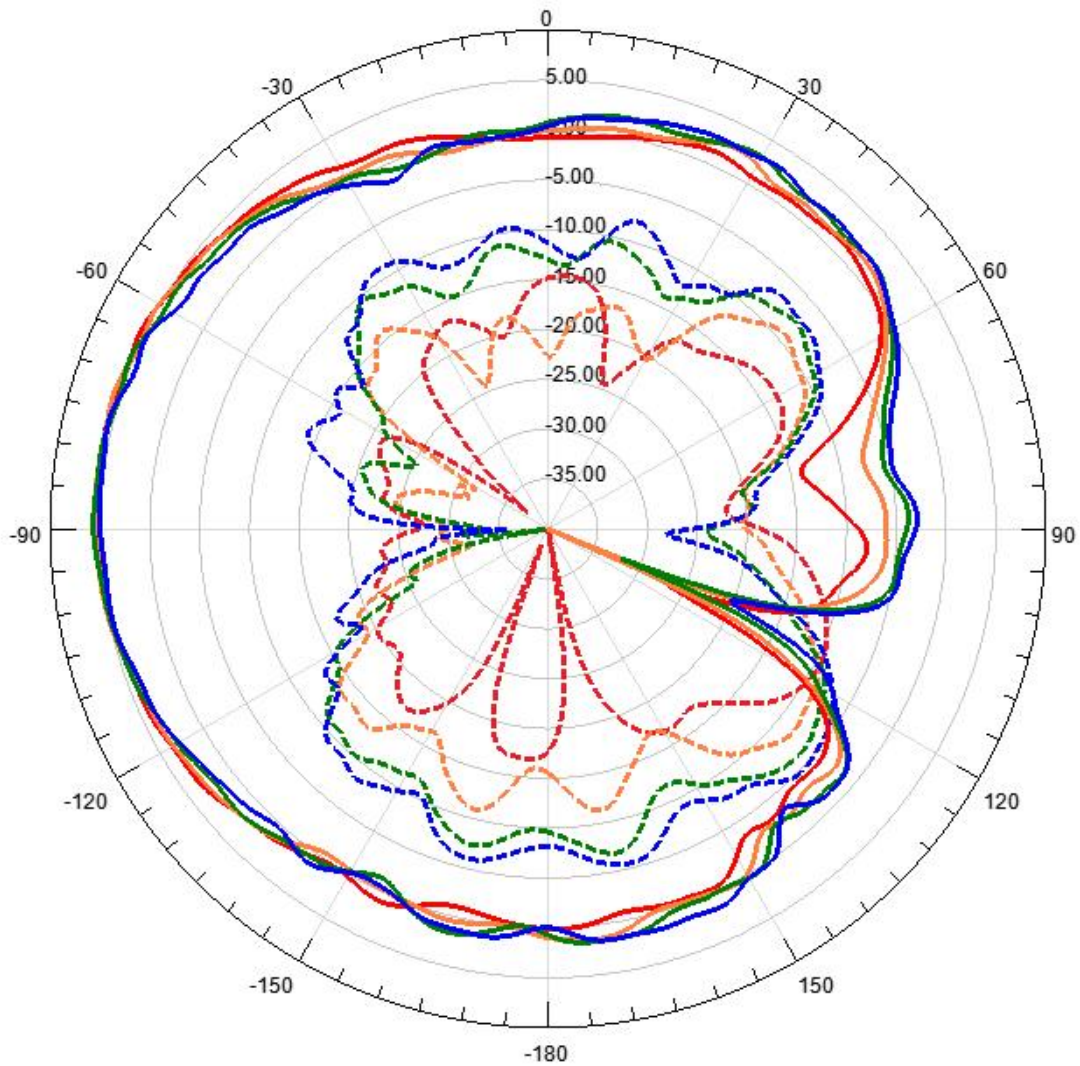
5200MHz 5400MHz 5600MHz 5800MHz

Gain(dB):Theta=90°,Phi=all

Min:-40 Max:10 Scale:5/div

— GainTheta

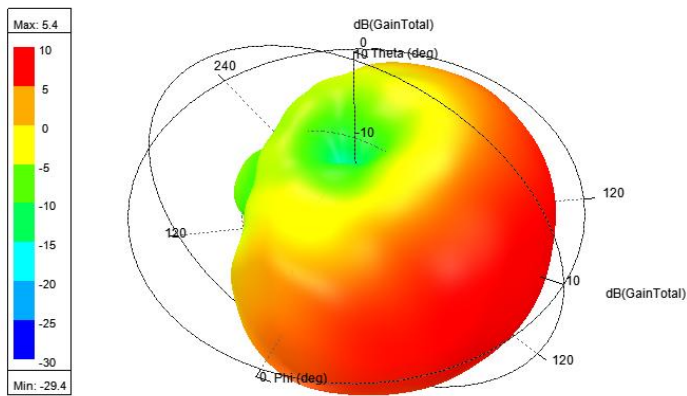
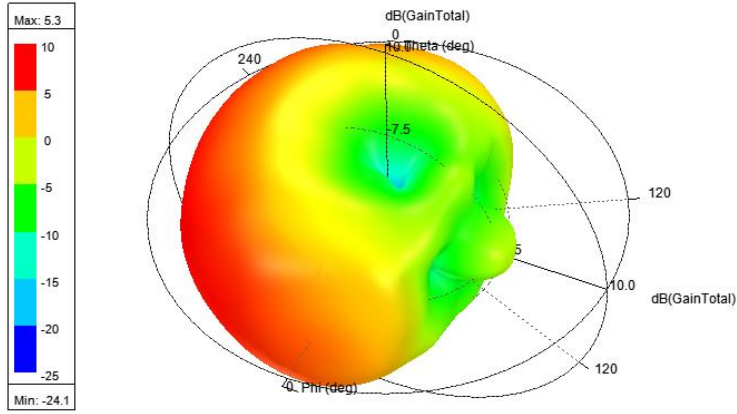
- - - GainPhi



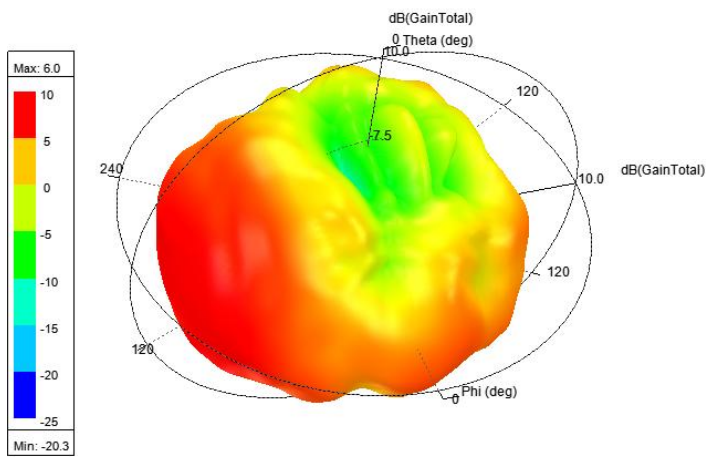
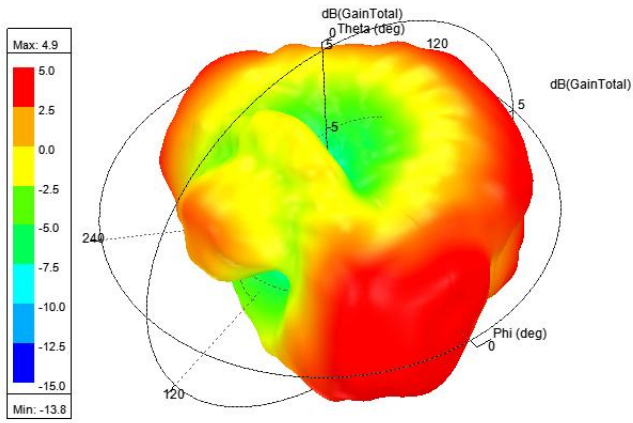
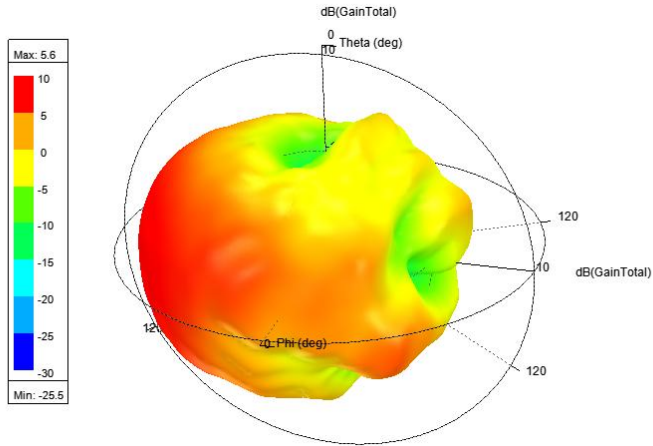
Anechoic Chamber for Test: RayZone2800, General Test CO., LTD

3D Radition Pattern

2.4GHz



5.1GHz



5.8GHz

